

Highlights

- Fast response time down to 10 ms
- Fiber optic cable field-replaceable without recalibration
- High accuracy
- Wide temperature range: 500 to 2500°C (three models)
- One- or two-colour operation (unique feature)
- High optical resolution up to 60:1
- Fiber optic assembly withstands 200°C, IP65 rated, optional up to 315°C
- Bi-directional RS485 communication, networkable
- Focus distances down to 100 mm
- Simultaneous analog output
- Unique "dirty window" alarm
- Programmable relay output: dual temperature setpoints and failsafe alarm
- Marathon DataTemp® software for remote configuration and monitoring

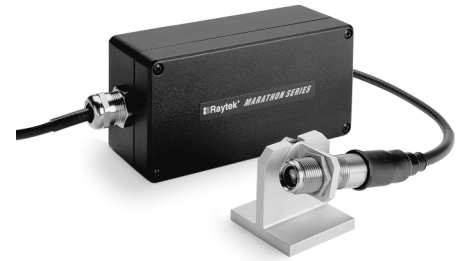
Electrical Specifications

Outputs	0/4-20 mA; RS-485, 2-wire or 4-wire, networkable to 32 sensors Relay, 48 V, 300 mA, response time < 2 ms
Power Supply	24 VDC ±20%, 500 mA

General Specifications

Environmental Rating	IP65 (IEC529)
Ambient Temperature	
Optical head	0 to 315°C
Fiber cable	0 to 200°C, optional up to 315°C
Electronics housing	0 to 60°C, with cooling platform up to 150°C
Storage Temperature	
Electronics housing	-20 to 70°C
Relative Humidity	10 to 95%, non-condensing
Shock	
Electronics housing	IEC 68-2-27
Vibration	
Electronics housing	IEC 68-2-6
Weight	
Optical head	100 g
Electronics housing	710 g
Fiber Cable Protection	rated to 200°C (optional up to 315°C), stainless steel armour, Viton coated, IP65, provision for conduit to protect fiber cable

FR Datasheet



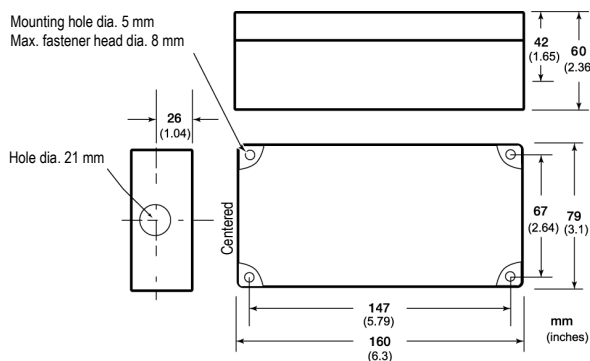
Measurement Specifications

Temperature Range	
FR1A	500 to 1100°C
FR1B	700 to 1500°C
FR1C	1000 to 2500°C
Spectral Response	1,0 µm nominal (Si/Si layered detector)
System Accuracy	
No attenuation	±(0,3% T _{meas} ¹ + 2°C)
up to 95% attenuation	±(1% T _{meas} ¹ + 2°C) for FR1A/FR1B
up to 95% attenuation	±(1,3% T _{meas} ¹ + 2°C) for FR1C
Repeatability	±1°C
Temperature Resolution	±1°C
Response Time	10 ms (95%), selectable to 10 s
Emissivity	0,10 to 1,00 in 0,01 increments (one-color)
Slope	0,850 to 1,150 in 0,001 increments (two-color)
Signal Processing	Peak hold, averaging

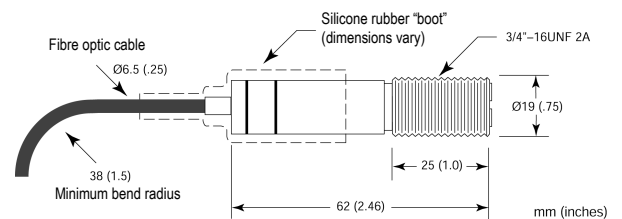
¹ T_{meas} in °C

Dimensions

Electronics Housing



Optical Head

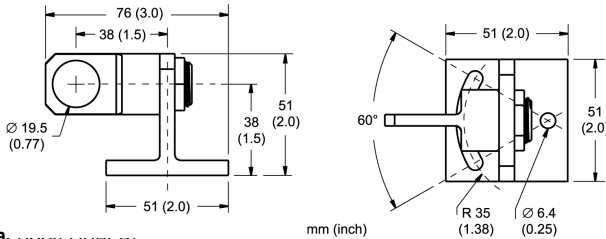


Accessories

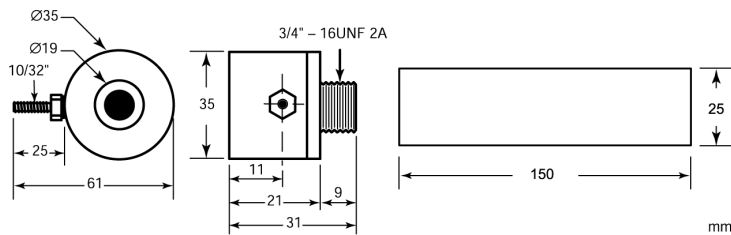
The models will be delivered with an adjustable bracket, mounting nuts, Marathon Support Software, Field Calibration Software, an operator's manual and an aiming-light (battery powered, for A and B models only). Additional accessories are available:

- Furnace rooftop mounting/purging system available with either flange (XXXFORFMF) or gravity-held base (XXXFORFMC)
- Stainless steel air-purge collar for optical head with integrated stainless steel sighting tube (XXXFOHAPA), air flow 0,5 – 1,5 l per second
- Fiber-optic sighting tube conduit accessory, L 300 mm, Ø 32 mm, (XXXFOSTCA)
- 24 VDC / 1,1 A power supply with universal 110 / 220 VAC input (XXX2CDCPSS)
- Smart RS-485 to RS-232 interface converters with built-in smart switching allowing for use in either 2-wire or 4-wire mode, in either multi drop or stand-alone mode (XXX485CVT2)
- 4-conductor PVC coated cable (XXXLTCBL) for electronic box requiring only 24 VDC and 0/4 - 20mA output, temperature rating: -20°C to 60°C
- 12-conductor high temperature cable (XXXHTCBL), Teflon coated cable for all input/output connections of the electronic box, temperature rating: -80°C to 200°C
- Terminal block (XXX2CTB)
- Terminal block with 24 VDC power supply and IP 65 enclosure (RAYMAPB)

Adjustable Bracket (XXXFOMB)

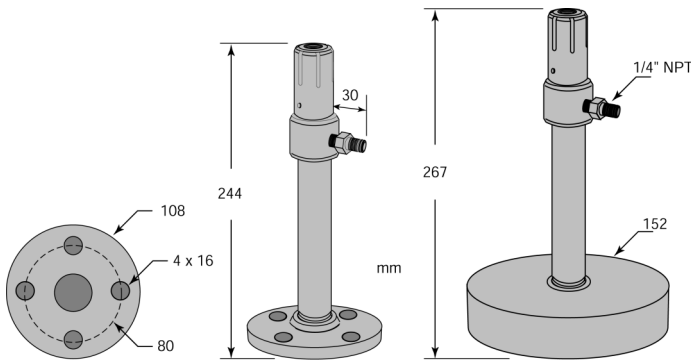


Air Purge Collar (XXXFOHAPA)



Furnace Wall Mount System with flange (XXXFORFMF)

Furnace Roof Mount System gravity-held (XXXFORFMC)



Optical Specifications

Optical Resolution D : S¹

FR1A	20 : 1
FR1B	40 : 1
FR1C	65 : 1

Focus Distances

Standard Focus	∞
Close Focus 1	100 mm
Close Focus 2	300 mm

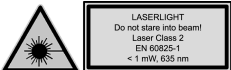
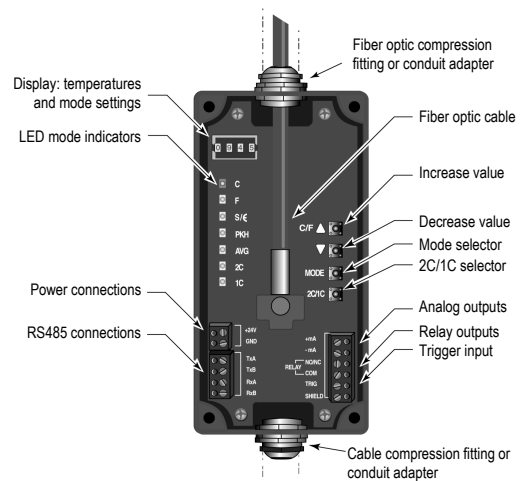
¹ at 95% energy, D: Distance between sensor and object, S: diameter of spot size

Options

Options must be specified at time of order.

- Fiber optic cable lengths: 1, 3, 6, or 10 m
- ISO Calibration Certificate, based on NIST/DKD certified probes (XXXFR1CERT)
- Laser Sighting (...L) only on FR1A/FR1B models
- Electronics Housing Cooling Platform (...W) water flow 2 l per minute, 16°C for efficient cooling
- High Temperature Fiber Cable (...H), rated to 315°C, option excludes Viton coating and IP65 rating

User Interface



www.raytek.com
for up-to-the-minute features

56101, Rev. E, 08/2003 – Raytek, the Raytek Logo, Thermalert and DataTemp are registered trademarks of Raytek Corporation. Specifications subject to change without notice. Raytek is ISO 9001:2000 certified.

Worldwide Headquarters

Raytek Corporation
Santa Cruz, CA USA
Tel: +1 831 458 – 1110
+1 800 227 – 8074
Fax: +1 831 458 – 1239
automation@raytek.com

European Headquarters

Raytek GmbH
Berlin, Germany
Tel: +49 30 47 80 08 - 0
Sales: - 400
Fax: +49 30 4 71 02 51
raytek@raytek.de



Raytek United Kingdom

Milton Keynes, UK
Tel: +44 1908 630 800
Fax: +44 1908 630 900
ukinfo@raytek.com

Raytek France

Palaiseau, France
Tel: +33 164 53 15 40
Fax: +33 164 53 15 44
info@raytek.fr

Raytek[®]