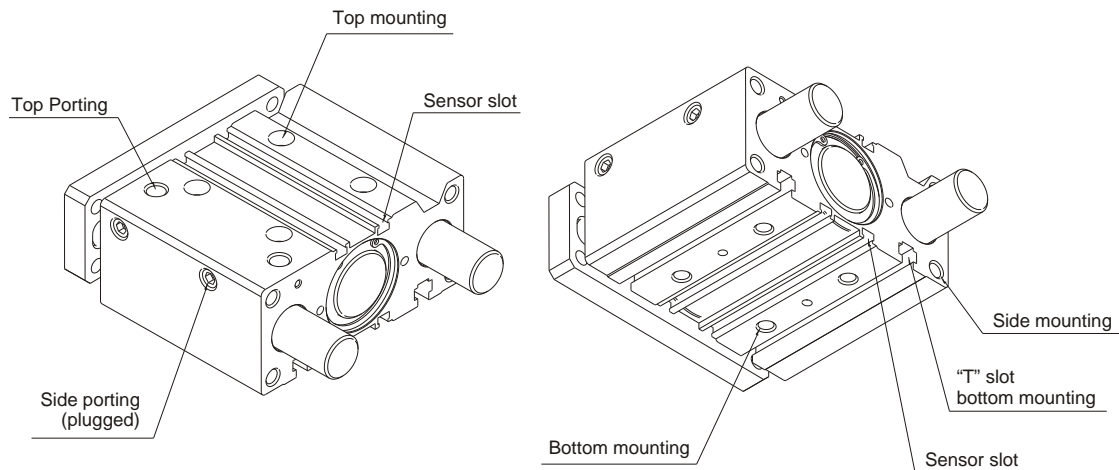




# GUIDED COMPACT CYLINDER

## Series 6100

	Page
General	1.0
Component description	1.1
Ordering Code, technical data	1.2
Dimension	1.3 - 1.4
Operating criteria	1.5 - 1.9
Magnetic sensors	1.10



These guided compact cylinders, characterised by reduced overall dimensions, can be used for the compression, conveyance and manipulation of objects in many industrial sectors; similarly they can also be used in pushing, lifting and stopping applications.

These cylinders are available in sizes 32mm to 63 mm diameter, and comprise a single compact cylinder with integral guide rods, making it a true guide cylinder designed with installation flexibility and space saving at its core.

The rod guide is available in two styles:

**Self lubricating bronze bushes**, useful for absorbing lateral loads and forces, especially as a stopper.

**Bearing bushes**, guaranteeing high precision and uniform movement with low friction characteristics, useful with misaligned loads.

Guided compact cylinders are ideal for use in applications requiring a combination of reduced dimensions and anti-rotation features. Mounting can be achieved on three sides through holes or “T” slots.

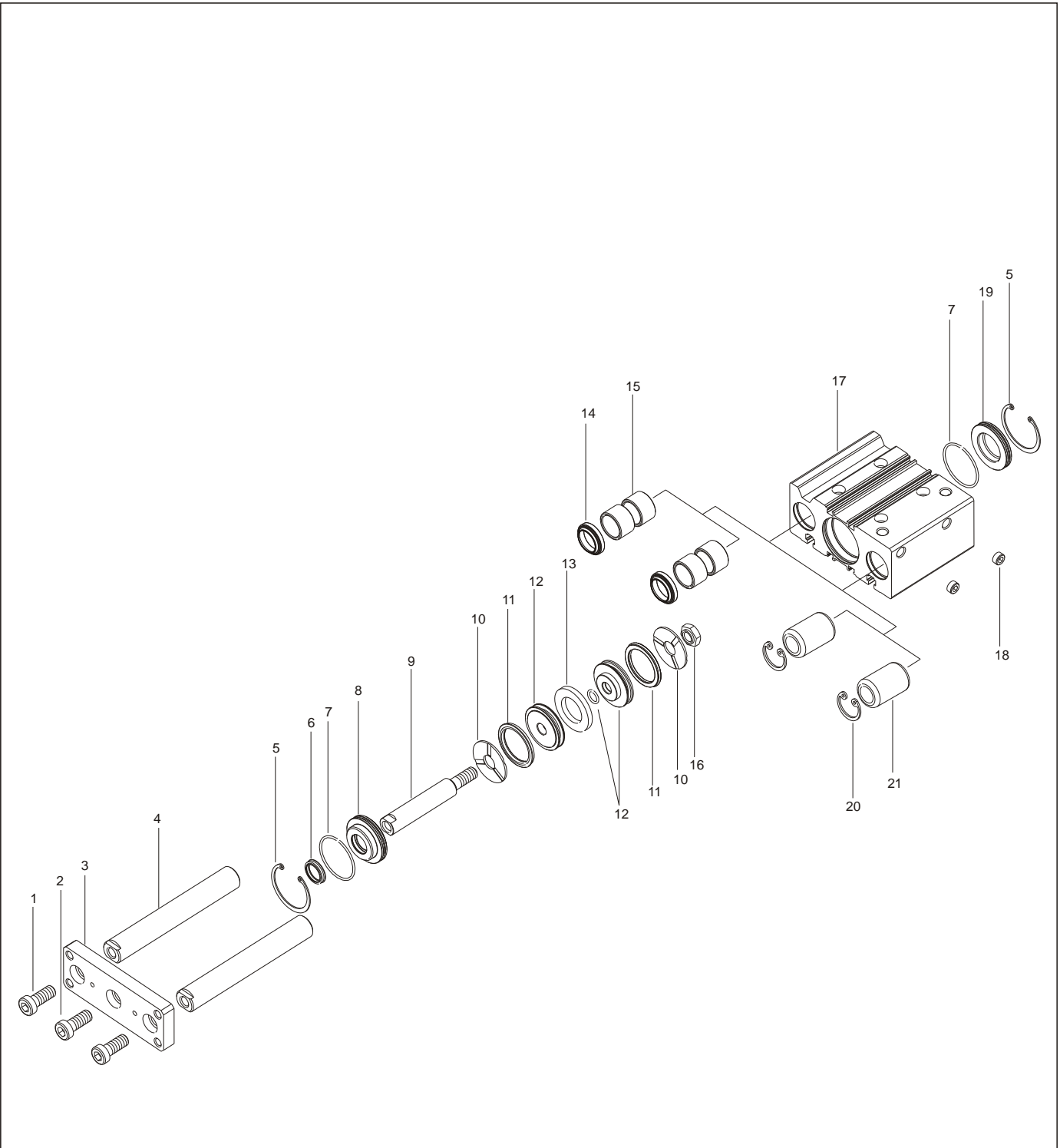
Adjustable mounting holes in the front plate ensure safe and accurate assembly. Pneumatic connections can be made to either lateral or top ports, (lateral ports plugged on standard units).

When sensors are required, there are special slot in the barrel extrusion where 1580 series miniaturized sensors are easily fitted.



Guided compact cylinder  
Component description

Series 6100



Pos.	Item	Qty.	Pos.	Item	Qty.
1	Guide rod screw	2	13	Magnet	1
2	Piston rod screw	1	14	Wiper	2
3	Plate	1	15	Bronze bush	4*
4	Rod	2	16	Piston rod nut	1
5	Circlip	2	17	Body	1
6	Piston rod seal	1	18	Plug	2
7	Seal	2	19	End plate	1
8	Bushing	1	20	Circlip	2
9	Piston rod	1	21	Bearing bush	4**
10	Cushioning washer	2	* N. 2 pieces for strokes under 50 mm (for bores ø20,25,32)		
11	Piston seal	2	** N. 2 pieces for strokes under 50 mm (for bores ø20,25,32)		
12	Half piston	2	N. 2 pieces for strokes under 50 mm (for bores ø40,50,63)		



**Ordering code**

6100.Ø.stroke.

- 20
- 25
- 32
- 40
- 50
- 63

- B** = Control unit with Bronze bush
- C** = Control unit with Bearing bush

Magnetic sensors: see page 1.10

**Construction characteristics**

Body	oxidated aluminium alloy
Guide rods	C43 chromed steel (control unit with Bronze bush) tempered and chromed steel (control unit with Bearing bush)
Piston	aluminium
Piston rod	AISI303 chromed stainless steel (for bores ø20, ø25) C43 chromed steel (for bores ø32, ø40, ø50, ø63)
Rods bushing	bronze or bearing bushing
End plate	oxidated aluminium
Piston seal	oil resistant NBR rubber
Piston rod seal	self lubricating polyurethane compound
Wipers	oil resistant NBR rubber
Plate	nickel plated steel

**Technical characteristics**

Function	double acting
Fluid	filtered and lubricated or non lubricated air
Working pressure	max. 10 bar
Working temperature	-5°C ÷ +70°C
Cushioning	elastic bumper on both ends

**Standard stroke**

Bore	20	25	30	40	50	75	100	125	150	175	200
Ø20	●		●	●	●	●	●	●	●	●	●
Ø25	●		●	●	●	●	●	●	●	●	●
Ø32		●			●	●	●	●	●	●	●
Ø40		●			●	●	●	●	●	●	●
Ø50		●			●	●	●	●	●	●	●
Ø63		●			●	●	●	●	●	●	●