

Construction and working characteristics

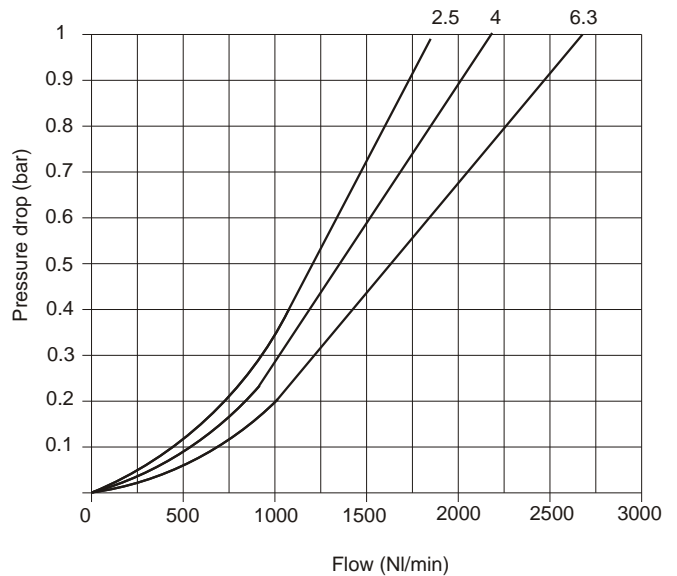
- Body made with light alloy.
- Wall mounting possibility with M6 screws protected by covers.
- Double filtering action: by air centrifuging and by replaceable and reusable HDPE porous filter element.
- Transparent technopolymer bowl with shock resistant technopolymer protection connected to the body with bayonet cap and safety button.
- Manual and semi-automatic water drain valve; in the semi-automatic version the drainage happens when there is no pressure or by pushing the valve up-wards.
- Possibility to see the water level on 360°.
- Automatic water drainage bowl available on request.

Technical characteristics

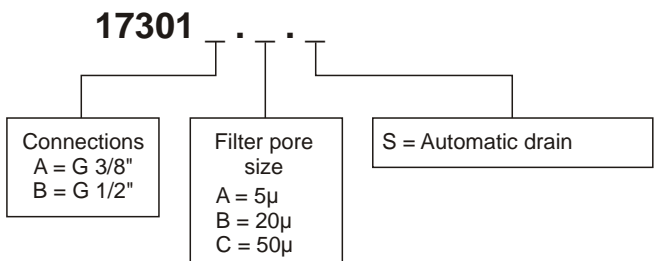
Connections	G 3/8" - G 1/2"
Max. inlet pressure	13 bar - 1,3 MPa
Max. ambient temperature (at 10 bar)	50°C
Weight	gr. 405
Filter pore size	5µ
	20µ
	50µ
Bowl capacity	42 cm ³
Assembly position	Vertical
Wall fixing screws	M6
Max. fitting torque	40 Nm

Flow rate curves

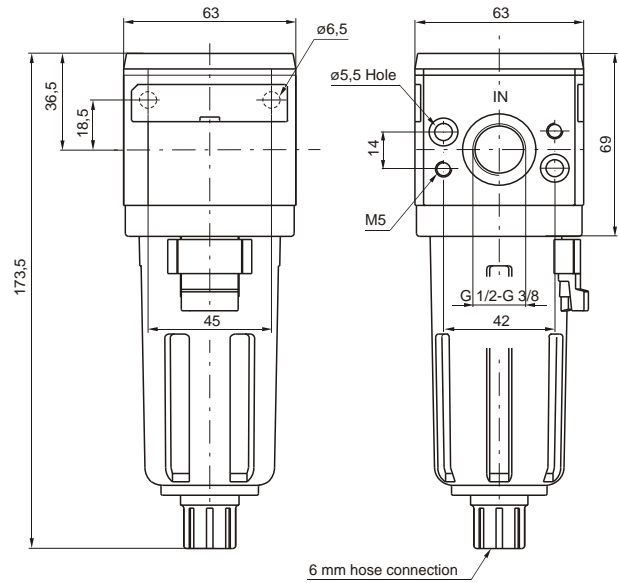
Inlet pressure (bar)



Ordering code



Example: **17301A.B**
Filter size 3 with G 3/8" connections and filter pore size 20µ.



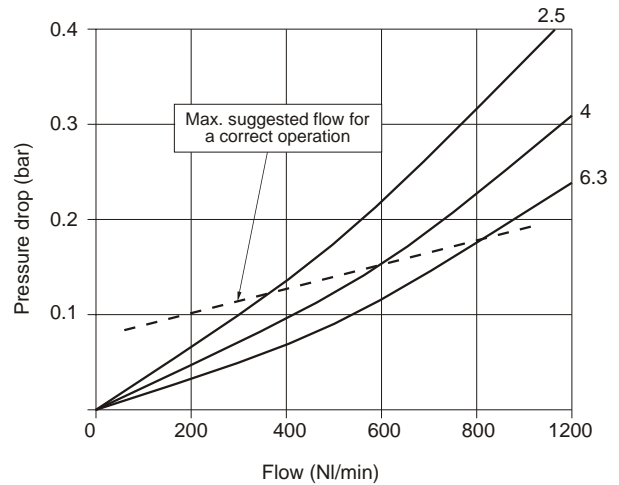
Construction and working characteristics

- Coalescing filter element remove 0,1 μ particles equivalent to 99,97%.
- Body made with light alloy.
- Wall mounting possibility with M6 screws protected by covers.
- Transparent technopolymer bowl with shock resistant technopolymer protection connected to the body with bayonet cap and safety button.
- Manual and semi-automatic water drain valve; in the semi-automatic version the drainage happens when there is no pressure or by pushing the valve up-wards.
- Possibility to see the water level on 360° also with bowl protection assembled.
- Automatic water drainage bowl available on request.

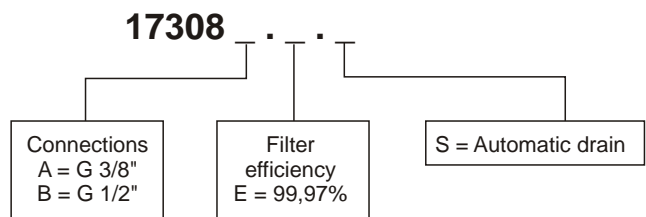
Technical characteristics

Connections	G 3/8" - G 1/2"
Max. inlet pressure	13 bar - 1,3 MPa
Max. ambient temperature (at 10 bar)	50°C
Weight	gr. 405
Filter efficiency with 0,1 μ particle	99,97%
Bowl capacity	42 cm ³
Assembly position	Vertical
Wall fixing screws	M6
Max. fitting torque	40 Nm

Flow rate curves
Inlet pressure (bar)



Ordering code



Example: **17308A.E**
Coalescing filter size 3 with G 3/8" connections and filter efficiency of 99,97%.