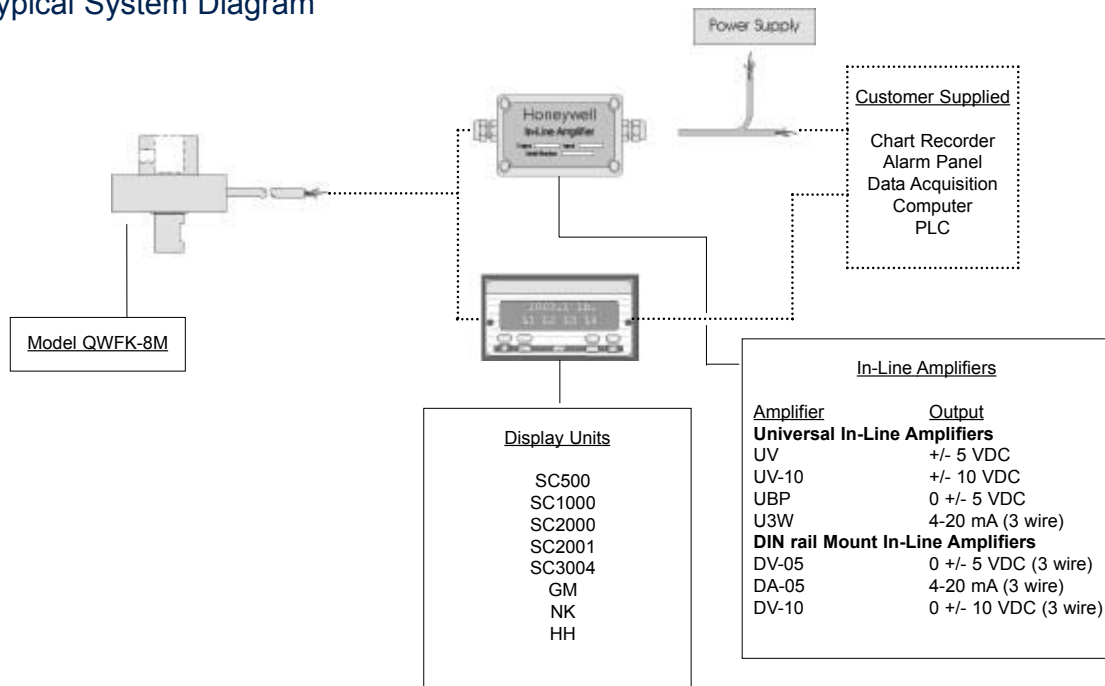


Model QWFK-8M

Typical System Diagram



Options

	Built from Scratch
Torque Range	25, 100, 250 in.-oz. 50, 100, 300 in.-lb.
Temperature Compensation	1a. 60° to 160° F 1b. 30° to 130° F 1c. 0° to 185° F 1d. -20° to 130° F 1e. -20° to 200° F 1f. 70° to 250° F
Internal Amplifiers	2u. Unamplified, mV/V output
Electrical Termination	6e. Integral cable: Teflon
Interfaces	53e. Signature Calibration 53t. T.E.D.S. IEEE 1451.4 Module

■ Supplied as standard

Range Codes

Range	Range Code
25 in.-oz.	TB
100 in.-oz.	TD
250 in.-oz.	TF
50 in.-lb.	TH
100 in.-lb.	TJ
300 in.-lb.	TL

How to Order

The order code consists of the product model, the desired range code and the available options.

Sample Code: **BT311** **TL** **1b**
Model Code Range Code Options Code

Distributed by:
 ALTHEN GmbH Mess- und Sensortechnik
 E-mail: verkauf@althen.de

Frankfurter Str. 150 - 152
 Tel: +49 6195 70060

D-65779 Kelkheim
 Fax: +49 6195 700666