

Low Profile Load Cell ACSDH Series

- Capacity 0...30 t to 0...100 t
- Compression
- Hermetically sealed
- High rated output (3 mV/V)
- Low profile



The model ACSDH is an ultra low profile compression shear type load cell suited to precision applications where headroom and side loads are a problem. All units are machined from a solid billet of tool steel and sealed with welded diaphragms.

Ordering Information: **ACSDH** - **30T**
Model - capacity

Specifications

Model	ACSDH
Rated capacity (R.C.):	30 t (294,2 kN) / 50 t (490,3 kN) / 100 t (980,7 kN)
Rated output (R.O.):	3 mV/V \pm 0,3%
Non-linearity:	\leq 0,1% R.O.
Hysteresis:	\leq 0,1% R.O.
Non-repeatability:	\leq 0,05% R.O.
Creep error:	\leq 0,03% in 20 min
Zero balance:	\leq 1% R.O.
Compensated temperature range:	-10...70°C
Operating temperature range:	-20...80°C
Temp. effect on rated output:	\leq 0,03% load/10 K
Temp. effect on zero balance:	\leq 0,03% R.O./10 K
Terminal input resistance:	350 Ω \pm 3,5 Ω
Terminal output resistance:	350 Ω \pm 5 Ω
Insulation resistance (min):	2000 M Ω at 50 VDC
Excitation voltage:	10 V (recommended) / 15 V (max.)
Electrical connection:	\varnothing 9mm x 5m (22AWG x 4 core shielded)
Protection class:	meets IP67
Safe overload:	150% R.C.
Ultimate overload:	300% R.C.

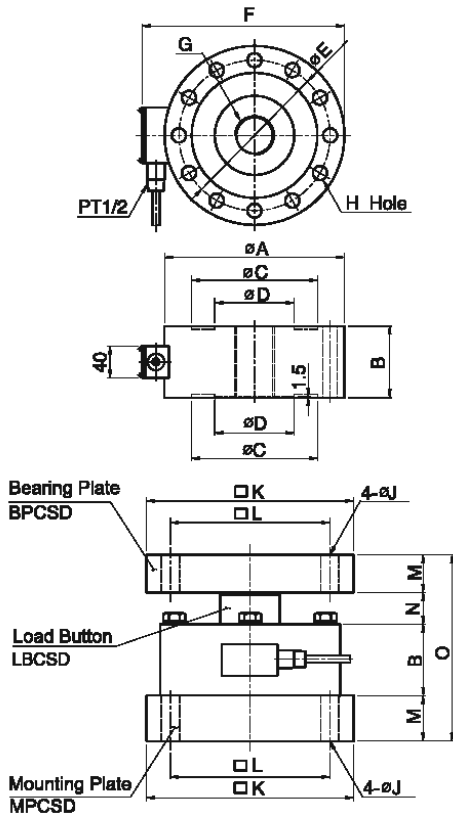
ALTHEN GmbH Mess- und Sensortechnik

Frankfurter Str. 150 - 152
D-65779 Kelkheim

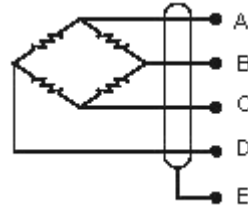
Tel. : +49(0)6195 70060
Fax: +49(0)6195 700666

<http://www.althen.de>
E-Mail: verkauf@althen.de





Wiring Information:



- A: red (+) Excitation
- B: green (+) Signal
- C: white (-) Excitation
- D: blue (-) Signal
- E: bare GND

Dimensions in mm

Rated Capacity	A	B	C	D	E	F	G	H	J	K	L	M	N	O	Load Button	Bearing plate	Mounting plate	Weight [kg]
30, 50 t (294,2kN, 490,3kN)	226	90	158	100	190	268	M50x2P	12-Ø18	23	260	200	47,5	40	225	LBCSD1	BPCSD1	MPCSD1	23
100 t (980,7kN)	306	110	212	138	260	350	M76x3P	16-Ø23	27	360	280	57,5	50	275	LBCSD2	BPCSD2	MPCSD2	48

*Specifications are subject to change without notice/Copyright Althen 03-2006

ACSDH

ALTHEN GmbH Mess- und Sensortechnik

Frankfurter Str. 150 - 152

D-65779 Kelkheim

Tel. : +49(0)6195 70060

Fax: +49(0)6195 700666

<http://www.althen.de>

E-Mail: verkauf@althen.de

