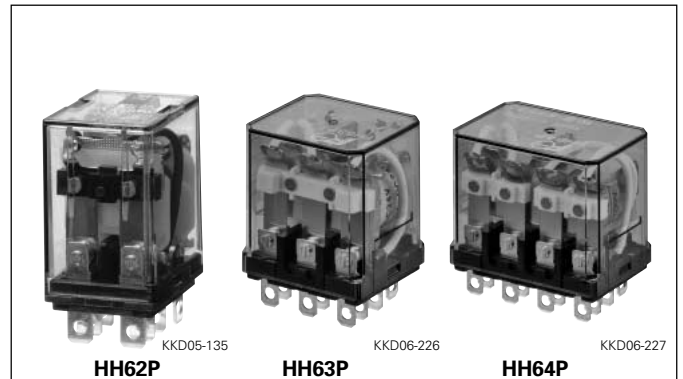


Compact, lightweight, and economical power relay with a high contact rating HH62, 63, 64

■ **Features**

- High contact rating
 Although compact and lightweight, this power relay has a contact rating of 10A. This relay is ideal for many kinds of electrical control equipment.
- High dielectric strength
 Though very compact, this relay has a dielectric strength of 2,000V AC for 1 minute.
- Easy socket mounting
 The input and output terminal arrangement makes the relay easy to mount on a control panel and easy to maintain and checks.
- Easy-to-identify coil voltages
 Different coil voltages are shown by different insulating tape colors. The coil voltages can be seen at a glance.



● **UL recognized, CSA and TÜV approved**

UL file No.

HH62: E42419
 HH63: E142976
 HH64: E142975

TÜV license No.

HH62: R9251342
 TP68: T9150891

CSA file No.

HH62: LR20479
 HH63, 64: LR35144

Relays

Classification		Contact form and arrangement	Mounting Plug-in Type	Ordering code	PC board Type	Ordering code	Frange Type	Ordering code
Standard	Without LED	Single 2PDT	HH62P	RP2CP-■	HH62B	RP2CB-■	HH62S	RP2CS-■
		3PDT	HH63P	RP3CP-■				
		4PDT	HH64P	RP4CP-■				
	With LED	Bifurcated 2PDT	HH62PW	RP2CPW-■	HH62BW	RP2CBW-■	HH62SW	RP2CSW-■
		Single 2PDT	HH62P-L	RP2CPL-■	HH62B-L	RP2CBL-■		
		3PDT	HH63P-L	RP3CPL-■				
With surge suppression device	Without LED	4PDT	HH64P-L	RP4CPL-■				
		Bifurcated 2PDT	HH62PW-L	RP2CPWL-■	HH62BW-L	RP2CBWL-■		
		Single 2PDT	HH62P-F	RP2CPF-■	HH62B-F	RP2CBF-■	HH62S-F	RP2CSF-■
	With LED	Single 2PDT	HH62P-CR	RP2CPC-■	HH62B-CR	RP2CBC-■		
		Bifurcated 2PDT	HH62PW-F	RP2CPWF-■	HH62BW-F	RP2CBWF-■	HH62SW-F	RP2CSWF-■
		Bifurcated 2PDT	HH62PW-CR	RP2CPWC-■	HH62BW-CR	RP2CBWC-■		
		Single 2PDT	HH62P-FL	RP2CPG-■	HH62B-FL	RP2CBG-■		
		Single 2PDT	HH62P-CRL	RP2CPA-■	HH62B-CRL	RP2CBA-■		
		Bifurcated 2PDT	HH62PW-FL	RP2CPWG-■	HH62BW-FL	RP2CBWG-■		
		Bifurcated 2PDT	HH62PW-CRL	RP2CPWA-■	HH62BW-CRL	RP2CBWA-■		

Notes: • Enter the coil voltage code in the ■ mark. • UL, CSA and TÜV approved.

■ **Specifications**

Rated insulation voltage		250V
Pick-up voltage (at 20°C)	AC DC	80% of rated voltage HH62: 75% of rated voltage HH63, 64: 80% of rated voltage
Drop-out voltage (at 20°C)	AC DC	30% of rated voltage 10% of rated voltage
Max. power supply voltage		110% of rated voltage
Operating temperature		HH62: -55 to +70°C, no icing (-25 to +50°C for with operating indicator) HH63, 64: -25 to +40°C, no icing (up to +55°C at 4A or less)
Dielectric strength		2000V AC rms., 1 minute between coil and contact 2000V AC rms., 1 minute between poles 1000V AC rms., 1 minute between open contacts 2000V AC rms., 1 minute between socket terminals
Insulation resistance		100MΩ (500V DC megger)
Operating time		HH62: 20ms or less HH63, 64: 25ms or less
Vibration		Mechanical and malfunction durability: 10 to 55Hz, 1mm double amplitude
Shock		Malfunction durability HH62: 200m/s ² , HH63, 64: 100m/s ² Mechanical durability 1000m/s ²
Durability	Mechanical Electrical	50 million operations (with bifurcated contact: 20 million operations) See "Electrical durability curve"
Contact resistance		50mΩ max. before use
Contact material		Silver-alloy

Industrial Control Relays

Miniature power relays

HH62, 63, 64

■ Coil characteristics

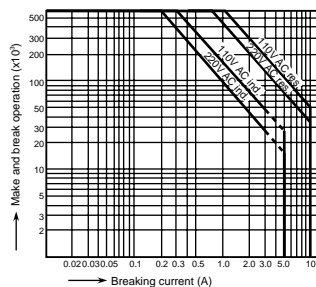
● AC coil

Type	Rated voltage (V AC)	Coil voltage code	Exciting current (mA)		Coil color	Power consumption (VA)	
			50Hz	60Hz		50Hz	60Hz
HH62	6	AA	200	167	Clear	1.2	1
	12	AB	100	83			
	24	AE	50	42			
	48	AF	25	21			
	100/110	A1	12/12.7	10/10.9			
110/120	AH	10.9/11.7	9.1/10	Clear			
200/220	A2	6/6.4	5/5.5	Yellow			
220/240	AM	5.5/5.8	4.5/5	Clear			
HH63	100	A1	20	17	Green	2	1.7
	200	A2	9.8	8.5	Yellow		
HH64	100	A1	24	20	Green	2.5	2
	200	A2	11.8	10	Yellow		

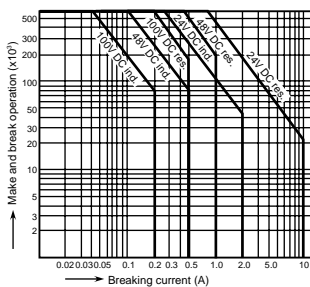
■ Electrical durability

● HH62

AC Voltage



DC Voltage



Sockets

Description	Type	Ordering code	Mass (g)	Used with
Soldering	TP68	RX68	10	HH62
PC board	TP68B	RX68B1	9.5	
Wire wrap	TP68R	RX68R2	11	
Rail mounting, screw terminal	TP68X2	RX68X2	46	HH62
	TP611X2	RX61X2	60	HH63
	TP614X2	RX64X2	76	HH64
Finger protection cover	RZ62X2	RZ62X2	2.4	TP68X2
	RZ64X2	RZ64X2	3.5	TP614X2

Mounting rails, 900mm long

Description	Type	Ordering code	Mass (g)	Socket
7.5mm high, Steel	TH35-7.5	RR7F	290	TP68X2,
7.5mm high, Aluminium	TH35-7.5AL	RR7A	145	TP611X2
15mm high, Aluminium	TH35-15AL	RR15A	320	or TP614X2

■ Ordering information

- Specify the following:
- Ordering code or type number
 - Accessory (socket, mounting rail)

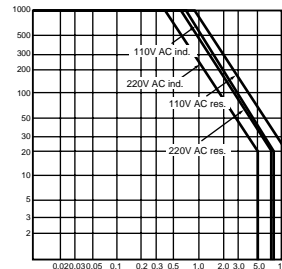
● DC coil

Type	Coil voltage code	Rated voltage (V DC)	Exciting current (mA)	Coil resistance (Ω)	Coil color	Power consumption (W)
HH62	DA	6	150	40	Clear	0.9
	DB	12	75	160	Black	
	DE	24	37	650	Reddish brown	
	DF	48	18.5	2600	Red	
	D1	100/110	9.1/10	11000	Blue	
HH63	DE	24	60	400	Reddish brown	1.5
HH64	DE	24	62	388	Reddish brown	1.5

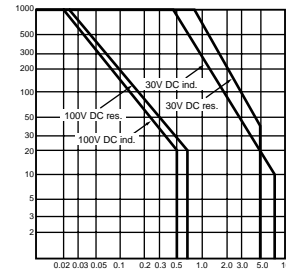
Note: Other voltages up to 240V AC/130V DC are available on request, contact FUJI.

● HH63, 64

AC Voltage



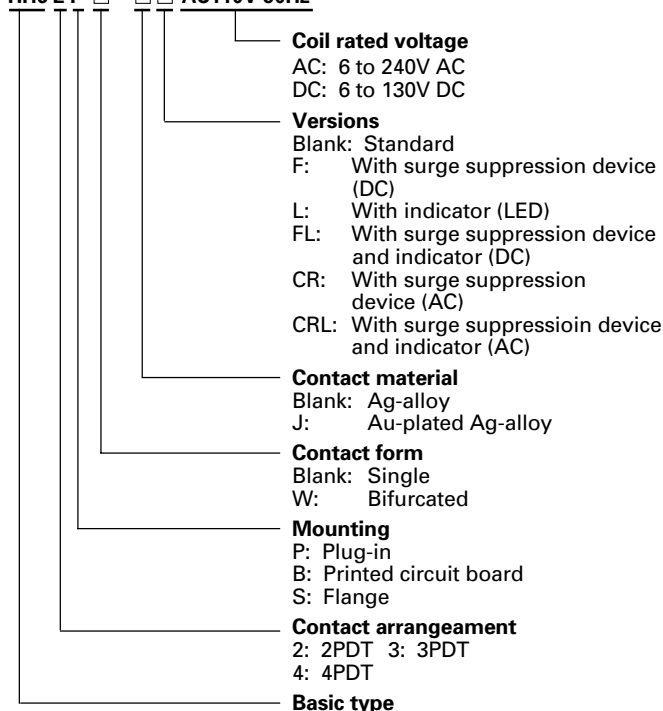
DC Voltage



■ Type number nomenclature

Relays

HH6 2 P □ - □ □ AC110V 50Hz



■ **Contact ratings (UL, CSA and TÜV)**

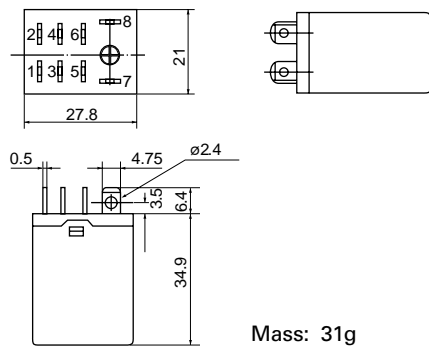
Basic type	Voltage	Single-phase motor (HP)*	Continuous current (A)	Resistive load (A)	Inductive load (A)	Remarks (polarity)
HH62P (HH62PW)	120V AC	1/3 (1/6)	10 (7)	10 (5)	1.5	Opposite polarity
	240V AC	1 (1/4)	10 (7)	10 (5)	—	
	30V DC	—	10 (7)	8 (5)	2(15ms)	
	120V DC	—	10 (7)	0.3 (0.3)	0.2(15ms)	
HH63P* HH64P*	120V AC	1/6	10	10	1.5	Opposite polarity
	240V AC	1/3	10	10	—	
	30V DC	—	10	8	2(15ms)	
	120V DC	—	10	0.3	0.2(15ms)	

Note: *UL and CSA approvals only (): HH62PW

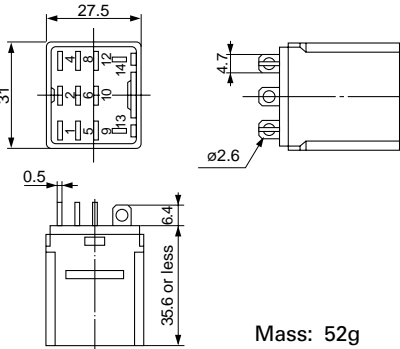
■ **Dimensions, mm**

Relays

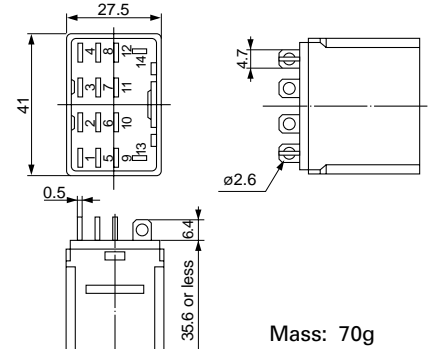
HH62P



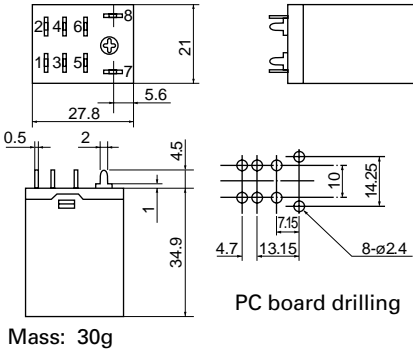
HH63P



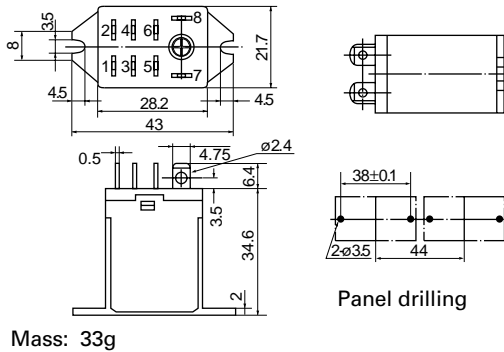
HH64P



HH62B

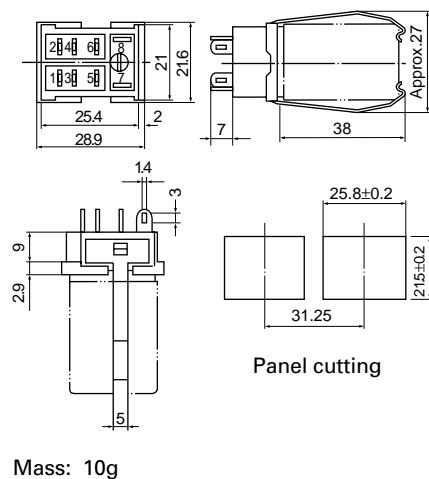


HH62S

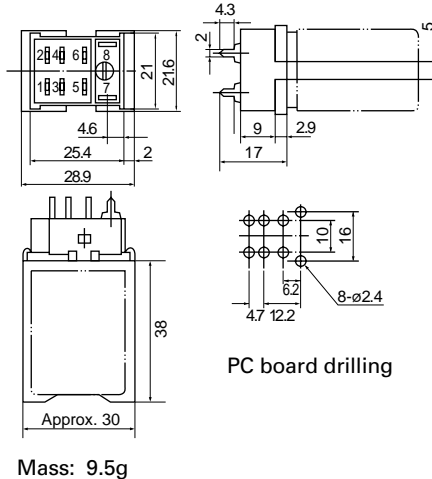


Sockets

TP68 (Soldering)



TP68B (PC board)



TP68R (Wire wrap)

