

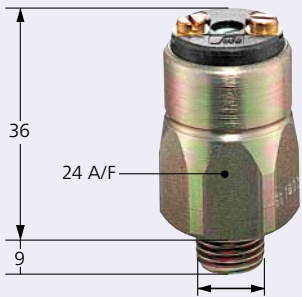
0167

Diaphragm pressure switches, 42 V



Brass body
With screw or push-on terminals
Overpressure safe to 20 bar^{*)}

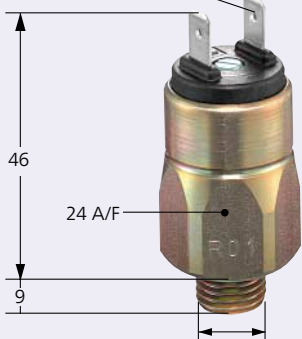
With external thread



0167 Diaphragm pressure switches with screw terminals

Adjustment range in bar (tolerance at RT)	Thread	Normally open (no) →:]	Normally closed (nc) →:]
0.1-1 (±0.2)	M 10x1 taper	0167 401 01 001	0167 402 01 004
	R 1/8" taper	0167 401 12 002	0167 402 12 005
	R 1/2" taper	0167 401 07 003	0167 402 07 006
	G 1/4"	0167 401 03 037	0167 402 03 038
1-10 (±0.5)	M 10x1 taper	0167 405 01 013	0167 406 01 016
	R 1/8" taper	0167 405 12 014	0167 406 12 017
	R 1/2" taper	0167 405 07 015	0167 406 07 018
	G 1/4"	0167 405 03 041	0167 406 03 042
10-20 (±1.0)	M 10x1 taper	0167 409 01 025	0167 410 01 028
	R 1/8" taper	0167 409 12 026	0167 410 12 029
	R 1/2" taper	0167 409 07 027	0167 410 07 030
	G 1/4"	0167 409 03 045	0167 410 03 046

AMP 6.3 x 0.8 tin-plated



0167 Diaphragm pressure switches with push-on terminals

Adjustment range in bar (tolerance at RT)	Thread	Normally open (no) →:]	Normally closed (nc) →:]
0.1-1 (±0.2)	M 10x1 taper	0167 403 01 007	0167 404 01 010
	R 1/8" taper	0167 403 12 008	0167 404 12 011
	R 1/2" taper	0167 403 07 009	0167 404 07 012
	G 1/4"	0167 403 03 039	0167 404 03 040
1-10 (±0.5)	M 10x1 taper	0167 407 01 019	0167 408 01 022
	R 1/8" taper	0167 407 12 020	0167 408 12 023
	R 1/2" taper	0167 407 07 021	0167 408 07 024
	G 1/4"	0167 407 03 043	0167 408 03 044
10-20 (±1.0)	M 10x1 taper	0167 411 01 031	0167 412 01 034
	R 1/8" taper	0167 411 12 032	0167 412 12 035
	R 1/2" taper	0167 411 07 033	0167 412 07 036
	G 1/4"	0167 411 03 047	0167 412 03 048

- Also available with switching point preset in our works.
- For ready-wired variants, see page 30 onwards.
- Other body materials and connection threads on request.
- Accessories: see page 19

Order No.:

Add figure for diaphragm/seal material

0167 XXX XX **X** XXX

0167 XXX XX **X** XXX

NBR	Hydraulic / machine oil, turpentine, heating oil, air etc.	=	1	=	1
EPDM	Hydrogen, acetylene, ozone, brake fluid etc.	=	2	=	2
FKM	Hydraulic fluids (HFA, HFB, HFC, HFD), petrol/gasoline etc.	=	3	=	3

See page 10 for temperature ranges of diaphragm materials

Warning!

When using with oxygen, the relevant accident-prevention regulations must be observed. In addition, we recommend that a maximum operating pressure of 10 bar is not exceeded.

^{*)} Static pressure, dynamic pressures should be 30 to 50% lower. These values refer to the hydraulic or pneumatic part of the pressure switch.

Degree of protection IP65

The type approval does not apply without restriction to all environmental conditions. It is the responsibility of the user to check whether the connection complies with regulations other than those stated, and whether it can be used for special applications which could not be foreseen by us in advance.

Pressure Switches

24 A/F

Normally open or normally closed,
Maximum voltage 42 V



TECHNICAL DATA

Degree of protection:	IP 65
	Terminals IP 00
Switching frequency:	200 / min.
Temperature stability:	NBR -30° ... +100°C EPDM -30° ... +120°C FKM - 5° ... +120°C
Mechanical life expectancy:	10 ⁶ cycles (at pressures up to 50 bar)
Vibration resistance:	10 g / 5-200 Hz sine-wave
Shock resistance:	294 m/s ² ; 14 ms half-sine-wave



TECHNICAL DATA

Type	Switching power	Material		Overpressure safe up to:		
		Zinc-plated Steel	Brass	20 bar	300 bar	600 bar
0163	•	•				•
0166	•	•			•	
0167	•		•	•		
0168	•	•			•	
0169	•	•				•

- Compact switch design, normally closed (nc) or normally open (no)
- Low-cost mechanical pressure switch to high Suco quality standards
- High overpressure resistance and long working life even under harsh operating conditions
- Switching point easy to adjust - even during operation¹⁾
- Various thread connections to suit your installation (see relevant product data sheet)
- Ready-wired variants - see Catalogue page 30
- Versions with push-on and screw terminals
- Available with gold contacts on request
- Other body materials are also possible

¹⁾ Pressure switches can be supplied preset from our works. Switches we have preset are secured with sealing paint and have the switching pressure stamped on their body.

Accessories

For all 24 A/F pressure switches



Protective cap

With central cable gland
for 1.5 ... 5 mm cable diameter
Order No.: 1-1-66-621-010



Protective cap

With two cable entries
for 1.7 ... 2.2 mm cable diameter
Order No.: 1-1-66-621-003