



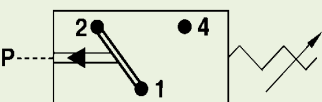
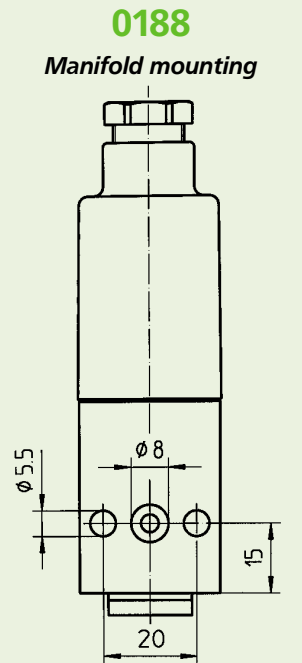
0158 / 0188

Diaphragm pressure switches, 250 V

Aluminium body
 With changeover switch and silver contacts
 Overpressure safe to 200 bar ¹⁾
 Max. voltage 250 V

- See page 7 for electrical properties

- Especially suitable when the switching point is permitted to vary slightly within a given range.



- For further technical data see page 34

Diaphragm pressure switches 0158

0188²⁾

Switching range in bar	p _{max.} in bar	Internal thread G 1/4"	Manifold mounting
0.5 - 1.5	200 ¹⁾	0158 421 14 001	0188 421 14 001
1.5 - 3.0		0158 422 14 001	0188 422 14 001
3.0 - 5.0		0158 423 14 001	0188 423 14 001
5.0 - 7.5		0158 424 14 001	0188 424 14 001
7.5 - 10		0158 425 14 001	0188 425 14 001

! Order Number: 0158 XXX XX **X** XXX 0188 XXX XX **X** XXX
Add figure for diaphragm/seal material

NBR	Hydraulic / machine oil, turpentine, heating oil, air etc.	=	1	=	1
EPDM	Hydrogen, acetylene, ozone, brake fluid etc.	=	2	=	2
FKM	Hydraulic fluids (HFA, HFB, HFC, HFD), petrol/gasoline etc.	=	3	=	3
See page 34 for temperature ranges of diaphragm materials					

²⁾ 0188 Diaphragm pressure switch: scope of supply includes O-ring NBR 5 x 1.5 mm

Warning!

When using with oxygen, the relevant accident-prevention regulations must be observed. In addition, we recommend that a maximum operating pressure of 10 bar is not exceeded.

¹⁾ Static pressure, dynamic pressures should be 30 to 50% lower. These values refer to the hydraulic or pneumatic part of the pressure switch.

Degree of protection IP65

The type approval does not apply without restriction to all environmental conditions. It is the responsibility of the user to check whether the connection complies with regulations other than those stated, and whether it can be used for special applications which could not be foreseen by us in advance.

Pressure Switches

30 A/F

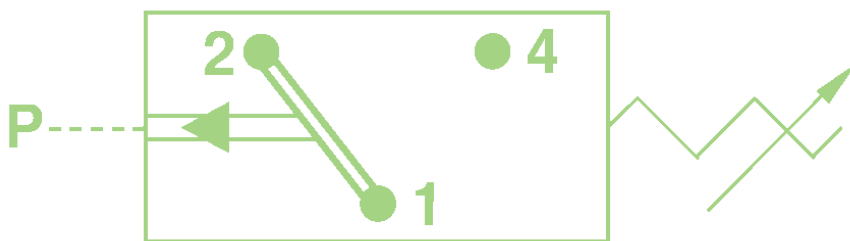
Changeover contacts



TECHNICAL DATA

Degree of protection:	IP 65 valve connector fitted
Switching frequency:	200 / min.
Temperature stability:	NBR -30° ... +100°C EPDM -30° ... +120°C FKM -5° ... +120°C
Mechanical life expectancy:	10 ⁶ cycles (at pressures up to 50 bar)
Vibration resistance:	10 g / 5-200 Hz sine-wave
Shock resistance:	294 m/s ² ; 14 ms half-sine-wave
Body material:	AlMgSi1 F28
Switching performance:	see page 7

- Panel or manifold mounting for clear, maintenance-friendly installation
- Easily adjustable by user¹⁾
- Many types have adjustable hysteresis²⁾
- High-quality micro-switch for reliable switching
- High overpressure safety
- Connection plug for simple installation on site



¹⁾ Except models 0158, 0188

²⁾ Except models 0158, 0159, 0188

CE Marking

Directives of the European Council

**Machinery Directive,
EMC Directive
Low Voltage Directive
ATEX Directive**

Equipment that falls under these directives must have a declaration of conformity and carry the CE marking.

SUCO pressure switches are electrical equipment and therefore fall under the Low Voltage Directive 73/23/EC.

A EC Declaration of Conformity has been prepared for all products that fall under these directives and is kept on our premises. The catalogue pages for the relevant switches carry the CE marking.



Electrical Data

Rated operating voltage U_e	Rated operating current I_e	Utilisation category	Model ranges:
250 volt AC 50 / 60 Hz	4 amp (2 amp)*	AC 12	
250 volt AC 50 / 60 Hz	1 amp	AC 14	0140
24 volt DC	4 / 4 amp (2 / 1 amp)*	DC 12 / DC 13	0141
50 volt DC	2 / 1 amp (1 / 0.5 amp)*	DC 12 / DC 13	0180
75 volt DC	1 / 0.5 amp (0.5 / 0.25 amp)*	DC 12 / DC 13	0181
125 volt DC	0.3 / 0.2 amp (0.2 / 0.1 amp)*	DC 12 / DC 13	0184
250 volt DC	0.25 / 0.2 amp (0.15 / 0.1 amp)*	DC 12 / DC 13	0185
Rated insulation voltage U_i :	300 Volt		0186
Rated surge capacity U_{imp} :	2.5 kV (4 kV)*		0187
Rated thermal current I_{the} :	5 amp		
Switching overvoltage:	< 2.5 kV		
Rated frequency:	DC und 50 / 60 Hz		
Rated current of short-circuit protection:	Up to 5 amp (up to 3.5 amp)*		
Conditional short-circuit current:	< 350 amp		
IP degree of protection to EN60529:1991+A1:1999:	IP 65	With plug	
Tightening torque of terminal screws:	< 0.35 Nm		
Conductor cross-section:	0.5 – 1.5 mm ²		
Rated operating voltage U_e	Rated operating current I_e	Utilisation category	Model ranges:
250 volt AC 50 / 60 Hz	5 amp	AC 12	
250 volt AC 50 / 60 Hz	1 amp	AC 14	
30 volt DC	3.5 / 3.5 amp	DC 12 / DC 13	
50 volt DC	2 / 1 amp	DC 12 / DC 13	0150
75 volt DC	1 / 0.5 amp	DC 12 / DC 13	
125 volt DC	0.3 / 0.2 amp	DC 12 / DC 13	
250 volt DC	0.35 / 0.2 amp	DC 12 / DC 13	0161
Rated insulation voltage U_i :	300 volt		0162
Rated surge capacity U_{imp} :	2.5 kV		
Rated thermal current I_{the} :	6 amp		
Switching overvoltage:	< 2.5 kV		
Rated frequency:	DC und 50 / 60 Hz		
Rated current of short-circuit protection:	Up to 6,3 amp		0175
Conditional short-circuit current:	< 350 amp		
IP degree of protection to EN60529:1991+A1:1999:	IP 65	With plug	
Tightening torque of terminal screws:	< 0.35 Nm		
Conductor cross-section:	0.5 – 1.5 mm ²		
Rated operating voltage U_e	Rated operating current I_e	Utilisation category	Model ranges:
250 volt AC 50 / 60 Hz	2.5 amp	AC 12	
250 volt AC 50 / 60 Hz	1 amp	AC 14	
30 volt DC	2 / 2 amp	DC 12 / DC 13	
50 volt DC	1 / 0.5 amp	DC 12 / DC 13	
75 volt DC	0.75 / 0.4 amp	DC 12 / DC 13	0158
125 volt DC	0.3 / 0.2 amp	DC 12 / DC 13	
250 Volt DC	0.3 / 0.2 amp	DC 12 / DC 13	
Rated insulation voltage U_i :	300 Volt		0159
Rated surge capacity U_{imp} :	2.5 kV		
Rated thermal current I_{the} :	6 amp		
Switching overvoltage:	< 2.5 kV		
Rated frequency:	DC and 50 / 60 Hz		
Rated current of short-circuit protection:	Up to 2.5 amp		0188
Conditional short-circuit current:	< 350 amp		
IP degree of protection to EN60529:1991+A1:1999:	IP 65	With plug	
Tightening torque of terminal screws:	< 0.5 Nm		
Conductor cross-section:	0.5 – 1.5 mm ²		

* Figures in brackets apply to Types 0140 und 0141