

0151

Vacuum switch, 42 V Normally-open or normally-closed

Brass body
With screw or push-on terminals
Max. voltage 42 V
Overpressure safe to 20 bar*)

0151 Vacuum switch with screw terminals

Adjustment range in mbar	Tolerance in mbar (RT)	Thread in mm	p _{max.} in bar	Normally-open (no) →:	Normally-closed (nc) →:
200 - 1000	± 100	G 1/8" Internal	20 ^{*)}	0151 452 15 3 001	0151 453 15 3 001

0151 Vacuum switch with push-on terminals

Adjustment range in mbar	Tolerance in mbar (RT)	Thread in mm	p _{max.} in bar	Normally-open (no) →:	Normally-closed (nc) →:
200 - 1000	± 100	G 1/8" Internal	20 ^{*)}	0151 454 15 3 001	0151 455 15 3 001

Diaphragm/seal material

FKM: Air, oils, greases, fuels

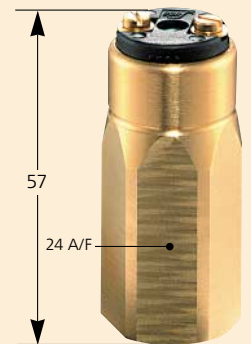
=

3

=

3

Temperature stability -5° ... +120°C



With internal thread

- Also available with switching point preset in our works.

- For further technical data, see page 44

Accessories

Protective cap

With central cable gland
for 1.5 ... 5 mm cable diameter
Order Number: 1-1-66-621-010



Protective cap

With two cable entries
for 1.7 ... 2.2 mm cable diameter
Order Number: 1-1-66-621-003



*) Static pressure, dynamic pressures should be 30 to 50% lower. These values refer to the hydraulic or pneumatic part of the pressure switch..

Degree of protection IP65

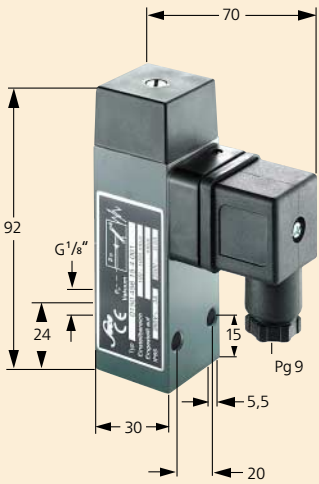
The type approval does not apply without restriction to all environmental conditions. It is the responsibility of the user to check whether the connection complies with regulations other than those stated, and whether it can be used for special applications which could not be foreseen by us in advance.

0150

Vacuum switch, 250 V With built-in changeover switch



- Aluminium body
- Max. voltage 250 V
- Overpressure safe to 20 bar^{*)}
- Hysteresis ca. 50 ... 100 mbar (non-adjustable)
- See page 7 for electrical properties.



0150 Vacuum switch

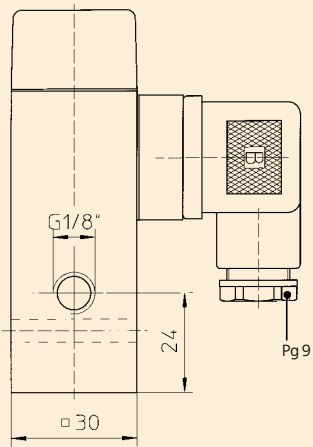
Adjustment range in mbar	Tolerance in mbar (RT)	Thread	Order number	p _{max.} in bar
100 – 1000	± 50	G 1/8"-Internal	0150 456 15 4 001	20 ^{*)}

Diaphragm/seal material

ECO Air, oils, greases, fuels

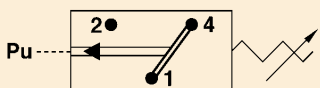
= **4**

Temperature stability: -20° ... +100°C



With internal thread

- Also available with switching point preset in our works.



- For further technical data, see page 44

^{*)} Static pressure, dynamic pressures should be 30 to 50% lower. These values refer to the hydraulic or pneumatic part of the pressure switch..

Degree of protection IP65

The type approval does not apply without restriction to all environmental conditions. It is the responsibility of the user to check whether the connection complies with regulations other than those stated, and whether it can be used for special applications which could not be foreseen by us in advance.