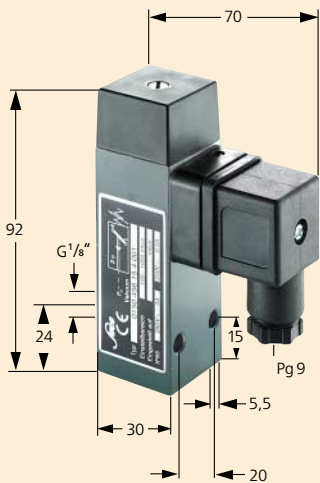


# 0150

## Vacuum switch, 250 V With built-in changeover switch



- Aluminium body
- Max. voltage 250 V
- Overpressure safe to 20 bar<sup>\*)</sup>
- Hysteresis ca. 50 ... 100 mbar (non-adjustable)
- See page 7 for electrical properties.

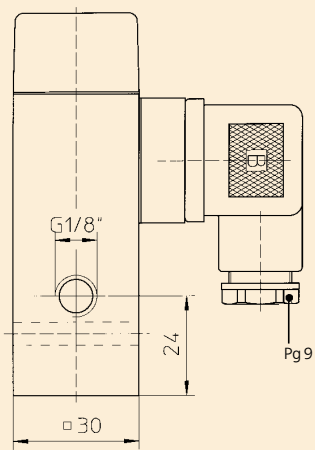


### 0150 Vacuum switch

Adjustment range in mbar	Tolerance in mbar (RT)	Thread	Order number	p <sub>max.</sub> in bar
100 – 1000	± 50	G 1/8"-Internal	0150 456 15 <b>4</b> 001	20 <sup>*)</sup>

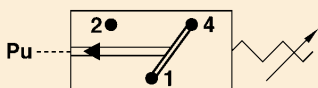
### Diaphragm/seal material

ECO Air, oils, greases, fuels	=	<b>4</b>
Temperature stability: -20° ... +100°C		



### With internal thread

- Also available with switching point preset in our works.



- For further technical data, see page 44

<sup>\*)</sup> Static pressure, dynamic pressures should be 30 to 50% lower. These values refer to the hydraulic or pneumatic part of the pressure switch..

### Degree of protection IP65

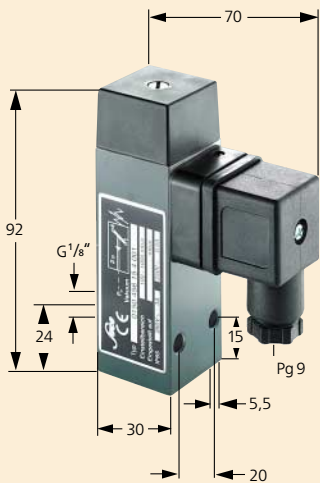
The type approval does not apply without restriction to all environmental conditions. It is the responsibility of the user to check whether the connection complies with regulations other than those stated, and whether it can be used for special applications which could not be foreseen by us in advance.

# 0150

## Vacuum switch, 250 V With built-in changeover switch



- Aluminium body
- Max. voltage 250 V
- Overpressure safe to 20 bar<sup>\*)</sup>
- Hysteresis ca. 50 ... 100 mbar (non-adjustable)
- See page 7 for electrical properties.

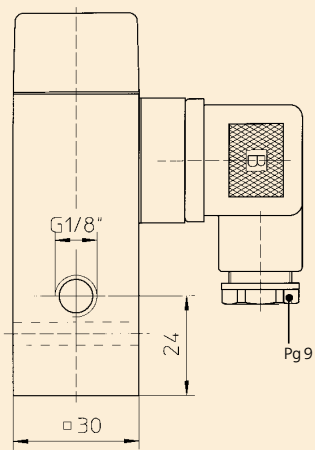


### 0150 Vacuum switch

Adjustment range in mbar	Tolerance in mbar (RT)	Thread	Order number	p <sub>max.</sub> in bar
100 – 1000	± 50	G 1/8"-Internal	0150 456 15 <b>4</b> 001	20 <sup>*)</sup>

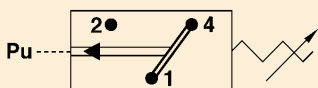
### Diaphragm/seal material

ECO Air, oils, greases, fuels	=	<b>4</b>
Temperature stability: -20° ... +100°C		



**With internal thread**

- Also available with switching point preset in our works.



- For further technical data, see page 44

<sup>\*)</sup> Static pressure, dynamic pressures should be 30 to 50% lower. These values refer to the hydraulic or pneumatic part of the pressure switch..

### Degree of protection IP65

The type approval does not apply without restriction to all environmental conditions. It is the responsibility of the user to check whether the connection complies with regulations other than those stated, and whether it can be used for special applications which could not be foreseen by us in advance.

Rated operating voltage $U_e$	Rated operating current $I_e$	Utilisation category	Model ranges:
250 volt AC 50 / 60 Hz	4 amp (2 amp)*	AC 12	
250 volt AC 50 / 60 Hz	1 amp	AC 14	0140
24 volt DC	4 / 4 amp (2 / 1 amp)*	DC 12 / DC 13	0141
50 volt DC	2 / 1 amp (1 / 0.5 amp)*	DC 12 / DC 13	0180
75 volt DC	1 / 0.5 amp (0.5 / 0.25 amp)*	DC 12 / DC 13	0181
125 volt DC	0.3 / 0.2 amp (0.2 / 0.1 amp)*	DC 12 / DC 13	0184
250 volt DC	0.25 / 0.2 amp (0.15 / 0.1 amp)*	DC 12 / DC 13	0185
Rated insulation voltage $U_i$ :	300 Volt		0186
Rated surge capacity $U_{imp}$ :	2.5 kV (4 kV)*		0187
Rated thermal current $I_{the}$ :	5 amp		
Switching overvoltage:	< 2.5 kV		
Rated frequency:	DC und 50 / 60 Hz		
Rated current of short-circuit protection:	Up to 5 amp (up to 3.5 amp)*		
Conditional short-circuit current:	< 350 amp		
IP degree of protection to EN60529:1991+A1:1999:	IP 65	With plug	
Tightening torque of terminal screws:	< 0.35 Nm		
Conductor cross-section:	0.5 – 1.5 mm <sup>2</sup>		
<b>Rated operating voltage <math>U_e</math></b>	<b>Rated operating current <math>I_e</math></b>	<b>Utilisation category</b>	<b>Model ranges:</b>
250 volt AC 50 / 60 Hz	5 amp	AC 12	
250 volt AC 50 / 60 Hz	1 amp	AC 14	
30 volt DC	3.5 / 3.5 amp	DC 12 / DC 13	
50 volt DC	2 / 1 amp	DC 12 / DC 13	0150
75 volt DC	1 / 0.5 amp	DC 12 / DC 13	
125 volt DC	0.3 / 0.2 amp	DC 12 / DC 13	
250 volt DC	0.35 / 0.2 amp	DC 12 / DC 13	0161
Rated insulation voltage $U_i$ :	300 volt		0162
Rated surge capacity $U_{imp}$ :	2.5 kV		
Rated thermal current $I_{the}$ :	6 amp		
Switching overvoltage:	< 2.5 kV		
Rated frequency:	DC und 50 / 60 Hz		
Rated current of short-circuit protection:	Up to 6,3 amp		0175
Conditional short-circuit current:	< 350 amp		
IP degree of protection to EN60529:1991+A1:1999:	IP 65	With plug	
Tightening torque of terminal screws:	< 0.35 Nm		
Conductor cross-section:	0.5 – 1.5 mm <sup>2</sup>		
<b>Rated operating voltage <math>U_e</math></b>	<b>Rated operating current <math>I_e</math></b>	<b>Utilisation category</b>	<b>Model ranges:</b>
250 volt AC 50 / 60 Hz	2.5 amp	AC 12	
250 volt AC 50 / 60 Hz	1 amp	AC 14	
30 volt DC	2 / 2 amp	DC 12 / DC 13	
50 volt DC	1 / 0.5 amp	DC 12 / DC 13	
75 volt DC	0.75 / 0.4 amp	DC 12 / DC 13	0158
125 volt DC	0.3 / 0.2 amp	DC 12 / DC 13	
250 Volt DC	0.3 / 0.2 amp	DC 12 / DC 13	
Rated insulation voltage $U_i$ :	300 Volt		0159
Rated surge capacity $U_{imp}$ :	2.5 kV		
Rated thermal current $I_{the}$ :	6 amp		
Switching overvoltage:	< 2.5 kV		
Rated frequency:	DC and 50 / 60 Hz		
Rated current of short-circuit protection:	Up to 2.5 amp		0188
Conditional short-circuit current:	< 350 amp		
IP degree of protection to EN60529:1991+A1:1999:	IP 65	With plug	
Tightening torque of terminal screws:	< 0.5 Nm		
Conductor cross-section:	0.5 – 1.5 mm <sup>2</sup>		

\* Figures in brackets apply to Types 0140 und 0141