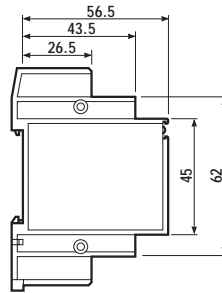
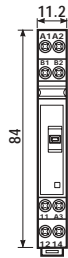


## 19.21

- 3 functions selector switch:
  - Auto (works as a monostable relay)
  - Off (relay permanently OFF)
  - On (relay permanently ON)
- LED indicator
- 35 mm rail (EN 50022) mount



- One module (11.2 mm) wide
- 1 pole
- 35 mm rail mount



Contact specifications		
Contact configuration		1 CO
Rated current/Max. peak current	A	10/15
Rated voltage/Max. switching voltage	V AC	250/400
Rated load in AC1	VA	2,500
Rated load in AC15 (230 VAC)	VA	500
Single phase motor rating (230 VAC)	kW	0.44
Breaking capacity in DC1: 30/110/220V	A	10/0.3/0.12
Minimum switching load	mW (V/mA)	1,000 (10/10)
Standard contact material		AgCdO
Supply specifications		
Nominal voltage	V AC (50/60Hz)	24
	V DC	24
Rated power AC/DC	VA (50Hz)/W	0.6/0.4
Operating range	V AC (50Hz)/W	(0.8...1.1)U <sub>N</sub>
	V DC	(0.8...1.1)U <sub>N</sub>
Technical data		
Mechanical life	cycles	10 · 10 <sup>6</sup>
Electrical life at rated load in AC1	cycles	100 · 10 <sup>3</sup>
Insulation between coil and contacts (1.2/50μs)	kV	4
Dielectric strength between open contacts	V AC	1,000
Ambient temperature range	°C	-10...+50
Protection category		IP 20
<b>Approvals:</b> (according to type)		<b>CE</b>

## ORDERING INFORMATION

Example: a 19 series relay modular Auto-Off-On with 1 CO - 10 A contact, rated at 24 V AC/DC supply.

1 9 . 2 1 . 0 . 0 2 4 . 0 0 0 0

**Series** \_\_\_\_\_

**Type** \_\_\_\_\_

2 = 35 mm rail (EN 50022) mount, 11.2 mm

**No. of poles** \_\_\_\_\_

1 = 1 pole

**Supply voltage**

024 = 24 V

**Supply version**

0 = AC (50/60 Hz)/DC

## TECHNICAL DATA

### CONTACT SPECIFICATIONS

NOMINAL RATE LAMPS		
- incandescence (230V)	W	1,000
- compensated fluorescent (230V)	W	350
- uncompensated fluorescent (230V)	W	500
- halogens (230V)	W	1,000

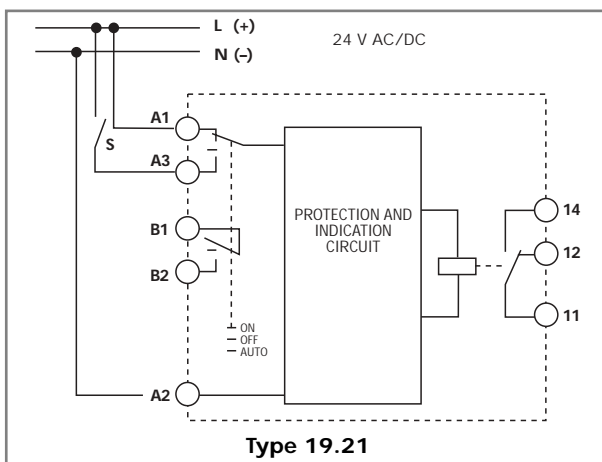
### INSULATION

DIELECTRIC STRENGTH		
- between supply and contacts	V AC	3,000
- between open contacts	V AC	1,000

### OTHER DATA

POWER LOST TO THE ENVIRONMENT		
- without contact current	W	0.4
- with rated current	W	1.8
MAX WIRE SIZE	solid cable	
	mm <sup>2</sup>	1x6 / 2x2.5
	AWG	1x10 / 2x14
		stranded cable
		1x4 / 2x1.5
		1x12 / 2x16
SCREW TORQUE	Nm	0.5

## WIRING DIAGRAM



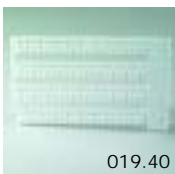
The max switching voltage between B<sub>1</sub> and B<sub>2</sub> terminal is 24 V AC/DC (300mA).

## SELECTOR POSITION

Selector switch	Control switch (S)	Output relay	LED	B <sub>1</sub> -B <sub>2</sub> contact
<b>AUTO</b>	<b>Closed</b>	<b>ON</b>	<b>ON</b>	<b>Closed</b>
	<b>Open</b>	<b>OFF</b>	<b>OFF</b>	<b>Closed</b>
<b>ON</b>	—	<b>ON</b>	<b>ON</b>	<b>Open</b>
<b>OFF</b>	—	<b>OFF</b>	<b>OFF</b>	<b>Open</b>

The B<sub>1</sub> - B<sub>2</sub> contact signals when the selector switch is in the Auto position. The LED indicates the state of the Modular relay's output contacts.

## ACCESSORIES



**Sheet of marker tags (40 tags)**

019.40

019.40