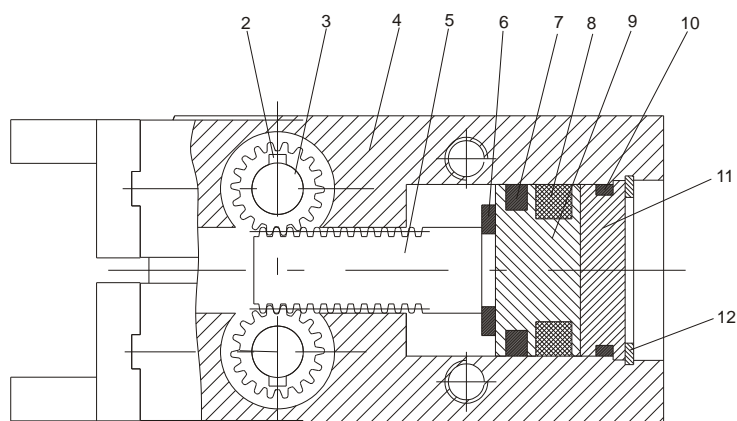
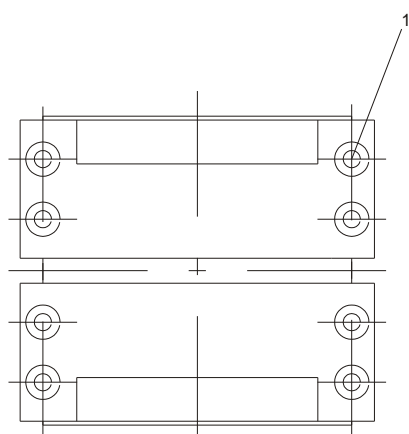
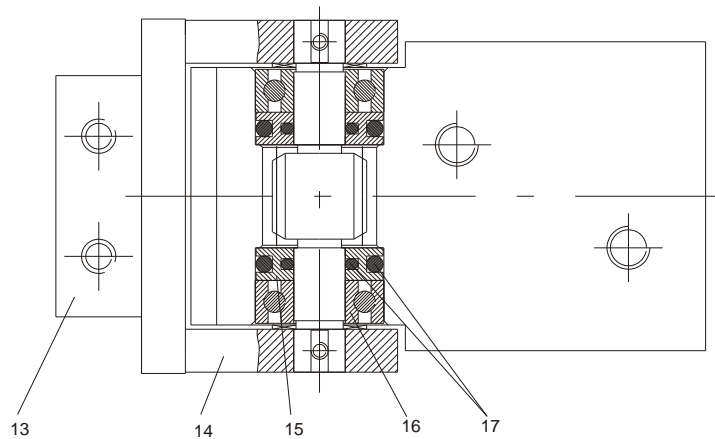


180° angular gripper rack & pinion style
Component description

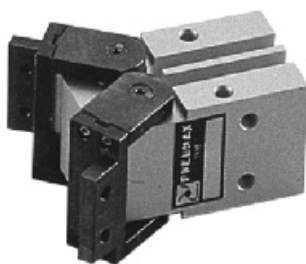
Series 6303



3



Pos.	Item	Qty.	Pos.	Item	Qty.
1	Finger fixing screw	8	10	End cover seal	1
2	Key	2	11	End cover	1
3	Pinion	2	12	Circlip	1
4	Body	1	13	Interchangeable tinger	2
5	Rack	1	14	Fix tinger	2
6	Cushioning washer	1	15	Seal bushing	2
7	Piston seal	1	16	Bearing	2
8	Magnet	1	17	Seal	4
9	Piston	1			



Ordering code

6303.Ø.D.

- F = Fingers, end fixing
- L = Fingers, side fixing

— 20

— 25

— 32

— 40

— 50

Magnetic sensors : see page 3.38

Construction characteristics

Body	aluminium
Piston	steel
Fingers	steel
End cover	aluminium

Technical characteristics

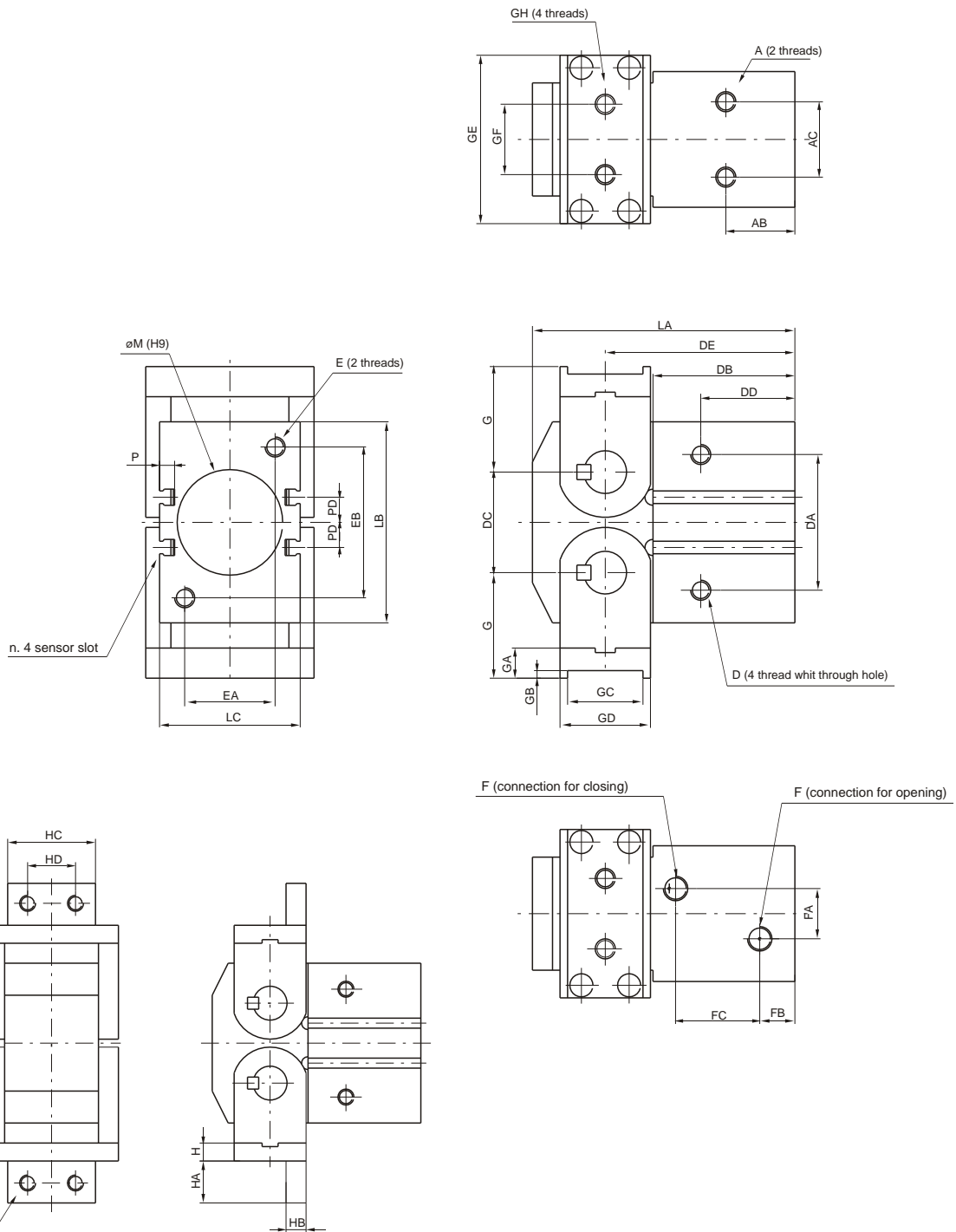
Fluid	filtered and non lubricated air
Function	double acting
Working pressure	1 ÷ 6 bar
Working temperature	-5°C ÷ +70°C

Holding force (Nm) at 5 bar

Bore	Holding force	Opening total Stroke
20	0,30	-5° ÷ 180°
25	0,7	-6° ÷ 180°
32	1,6	-5° ÷ 180°
40	3,7	-5° ÷ 180°
50	8,3	-4° ÷ 180°

180° angular gripper rack & pinion style
Overall dimensions

Series 6303



Bore	A	AB	AC	D	DA	DB	DC	DD	DE	E	EA	EB	F	FA	FB	FC
20	M5 (usef ul d ept h 7)	17	20	M5 (usef ul d ept h 10)	27	35	18	23	45	M5 (usef ul d ept h 10)	26	26	M5	12	9	20
25	M6 (usef ul d ept h 10)	20	24	M6 (usef ul d ept h 12)	34	40	24	27	51	M6 (usef ul d ept h 12)	30	30	M5	16	10	23
32	M6 (usef ul d ept h 10)	21	24	M6 (usef ul d ept h 12)	42	47	30	29	61,5	M6 (usef ul d ept h 12)	30	45	G1/8	20	13	25
40	M8 (usef ul d ept h 15)	27,5	30	M8 (usef ul d ept h 16)	54	56,5	40	37,5	75,5	M8 (usef ul d ept h 15)	36	60	G1/8	20	14	33,5
50	M10 (usef ul d ept h 20)	36	40	M10 (usef ul d ept h 20)	70	69	56	48	96	M10 (usef ul d ept h 20)	40	80	G1/4	30	16	44

Bore	G	GA	GB	GC	GD	GE	GF	GH	H	HA	HB	HC	HD	LA	LB	LC	ØM (H9)	P	PD	Weight (gr.)
20	23	7	2	12	16	41	18	M4	5	10	5	28	14	60	36	36	21 (usef ul d ept h 3)	6	4	300
25	27	8	2	17	21	45	20	M5	6	12	6	30	16	69	45	40	26 (usef ul d ept h 3)	5,5	4,5	500
32	32	9	2	23	27	51	20	M6	7	14	7	34	18	83,5	58	45	34 (usef ul d ept h 4)	5,5	11	900
40	42	12	3	30	36	67	28	M8	9	21	10	44	24	104,5	80	56	42 (usef ul d ept h 4)	6	10	2100
50	58	17	4	44	52	85	38	M10	13	24	13	58	30	136	112	66	52 (usef ul d ept h 5)	6	13	5000



Gripping force

NOTE:

Bore selection should be made considering a holding force 10 to 20 times the component weight.

In case of acceleration/deceleration a further margin of safety should be considered.

