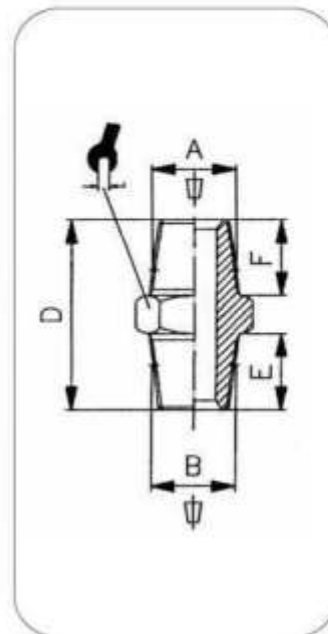
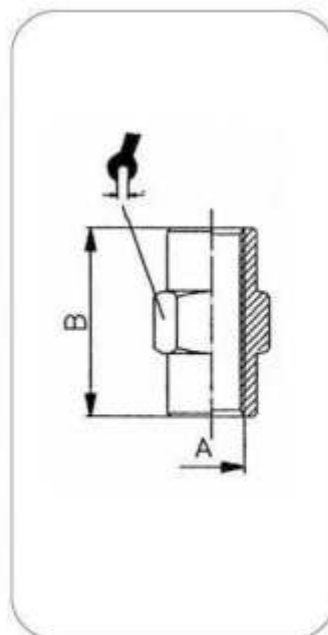

ART. 101 Niplo cilindrico
Parallel nipple

CODICE	A	B	D	E	F		
101M5M5	M5	M5	11,5	4,0	4,0	8,0	100
101M518	M5	G _{1/8}	14,5	6,0	4,0	14,0	100
1011818	G _{1/8}	G _{1/8}	16,5	6,0	6,0	14,0	100
1011814	G _{1/8}	G _{1/4}	19,0	8,0	6,0	17,0	100
1011838	G _{1/8}	G _{3/8}	20,0	9,0	6,0	19,0	100
1011414	G _{1/4}	G _{1/4}	21,0	8,0	8,0	17,0	100
1011438	G _{1/4}	G _{3/8}	22,0	9,0	8,0	19,0	100
1011412	G _{1/4}	G _{1/2}	23,5	10,0	8,0	24,0	100
1013838	G _{3/8}	G _{3/8}	23,0	9,0	9,0	19,0	100
1013812	G _{3/8}	G _{1/2}	24,5	10,0	9,0	24,0	50
1011212	G _{1/2}	G _{1/2}	25,5	10,0	10,0	24,0	50


ART. 102 Niplo conico
Taper nipple

CODICE	A	B	D	E	F		
1021818	G _{1/8}	G _{1/8}	20,0	8,0	8,0	12,0	100
1021814	G _{1/8}	G _{1/4}	24,0	11,0	8,0	14,0	100
1021838	G _{1/8}	G _{3/8}	24,5	11,5	8,0	17,0	100
1021812	G _{1/8}	G _{1/2}	27,5	14,0	8,0	22,0	100
1021414	G _{1/4}	G _{1/4}	27,0	11,0	11,0	14,0	100
1021438	G _{1/4}	G _{3/8}	27,5	11,5	11,0	17,0	100
1021412	G _{1/4}	G _{1/2}	30,5	14,0	11,0	22,0	100
1023838	G _{3/8}	G _{3/8}	28,0	11,5	11,5	17,0	100
1023812	G _{3/8}	G _{1/2}	31,0	14,0	11,5	22,0	50
1021212	G _{1/2}	G _{1/2}	33,5	14,0	14,0	22,0	50
1021234	G _{1/2}	G _{3/4}	37,5	16,5	14,0	27,0	50
1023434	G _{3/4}	G _{3/4}	40,0	16,5	16,5	27,0	50

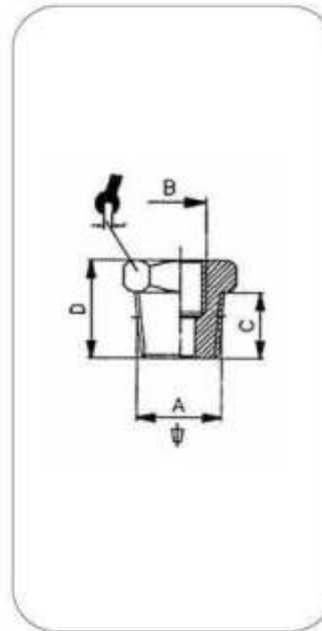

ART. 103 Manicotto filettato
Sleeve

CODICE	A	B		
103M5	M5	11,0	8,0	100
10318	G _{1/8}	15,0	14,0	100
10314	G _{1/4}	22,0	17,0	100
10338	G _{3/8}	24,0	22,0	50
10312	G _{1/2}	30,0	26,0	25



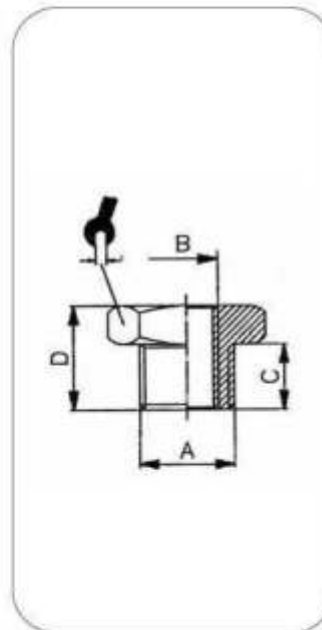
ART. 104 Riduzione M/F conica Taper reducer

CODICE	A	B	C	D		
1041418	G _{1/4}	G _{1/8}	11,0	16,0	14,0	100
1043818	G _{3/8}	G _{1/8}	11,5	16,5	17,0	100
1041218	G _{1/2}	G _{1/8}	14,0	19,5	22,0	50
1043814	G _{3/8}	G _{1/4}	11,5	16,5	17,0	100
1041214	G _{1/2}	G _{1/4}	14,0	19,5	22,0	50
1041238	G _{1/2}	G _{3/8}	14,0	19,5	22,0	50
1043412	G _{3/4}	G _{1/2}	16,5	23,5	27,0	50



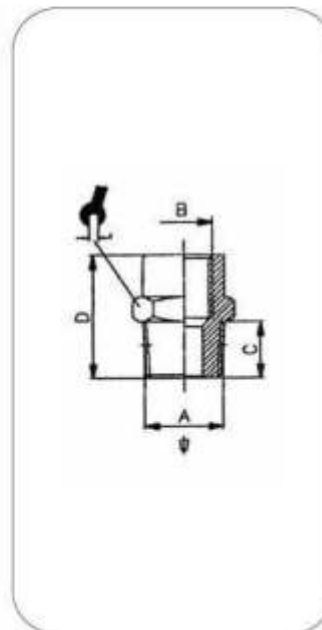
ART. 104z Riduzione M/F cilindrica Parallel reducer

CODICE	A	B	C	D		
104Z18M5	G _{1/8}	M5	6,0	10,5	14,0	100
104Z1418	G _{1/4}	G _{1/8}	8,0	13,0	17,0	100
104Z3818	G _{3/8}	G _{1/8}	9,0	14,0	19,0	100
104Z3814	G _{3/8}	G _{1/4}	9,0	14,0	19,0	100
104Z1218	G _{1/2}	G _{1/8}	10,0	15,5	24,0	50
104Z1214	G _{1/2}	G _{1/4}	10,0	15,5	24,0	50
104Z1238	G _{1/2}	G _{3/8}	10,0	15,5	24,0	50



ART. 105 Prolunga M/F conica Taper M/F extension

CODICE	A	B	C	D		
1051818	G _{1/8}	G _{1/8}	8,0	20,0	14,0	100
1051814	G _{1/8}	G _{1/4}	8,0	22,5	17,0	100
1051838	G _{1/8}	G _{3/8}	8,0	25,0	22,0	100
1051414	G _{1/4}	G _{1/4}	11,0	25,0	17,0	100
1051438	G _{1/4}	G _{3/8}	11,0	27,0	22,0	50
1051412	G _{1/4}	G _{1/2}	11,0	31,5	24,0	50
1053838	G _{3/8}	G _{3/8}	11,5	27,5	22,0	50
1053812	G _{3/8}	G _{1/2}	11,5	32,0	24,0	25
1051212	G _{1/2}	G _{1/2}	14,0	34,0	24,0	25





ART. 105z Protunga M/F cilindrica Parallel M/F Extension

CODICE	A	B	C	D		
105ZM518	M5	G _{1/8}	4,0	15,5	14,0	100
105Z1818	G _{1/8}	G _{1/8}	6,0	16,5	14,0	100
105Z1814	G _{1/8}	G _{1/4}	6,0	20,5	17,0	100
105Z1838	G _{1/8}	G _{3/8}	6,0	23,0	22,0	50
105Z1414	G _{1/4}	G _{1/4}	8,0	22,0	17,0	100
105Z1438	G _{1/4}	G _{3/8}	8,0	24,0	22,0	50
105Z1412	G _{1/4}	G _{1/2}	8,0	28,5	26,0	50
105Z3838	G _{3/8}	G _{3/8}	9,0	25,0	22,0	50
105Z3812	G _{3/8}	G _{1/2}	9,0	29,5	24,0	25
105Z1212	G _{1/2}	G _{1/2}	10,0	30,5	24,0	25

ART. 106 Manicotto riduzione Reducing sleeve

CODICE	A	B	C		
106M518	M5	G _{1/8}	13,5	14,0	100
1061814	G _{1/8}	G _{1/4}	19,0	17,0	100
1061838	G _{1/8}	G _{3/8}	20,0	22,0	25
1061812	G _{1/8}	G _{1/2}	24,0	24,0	50
1061438	G _{1/4}	G _{3/8}	23,0	22,0	50
1061412	G _{1/4}	G _{1/2}	25,0	24,0	50
1063812	G _{3/8}	G _{1/2}	27,5	24,0	50

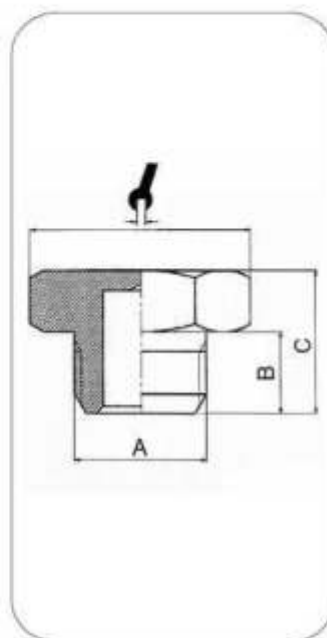
ART. 107 Tappo maschio cilindrico con O-Ring Parallel male plug + O-Ring

CODICE	A	P	L	ØE		
107M5	M5	4,0	5,5	8,0	2,5	100
10718	G _{1/8}	6,0	8,0	14,0	4,0	100
10714	G _{1/4}	8,0	10,0	17,0	6,0	100
10738	G _{3/8}	9,0	12,0	20,0	8,0	100
10712	G _{1/2}	11,0	14,0	24,0	10,0	50



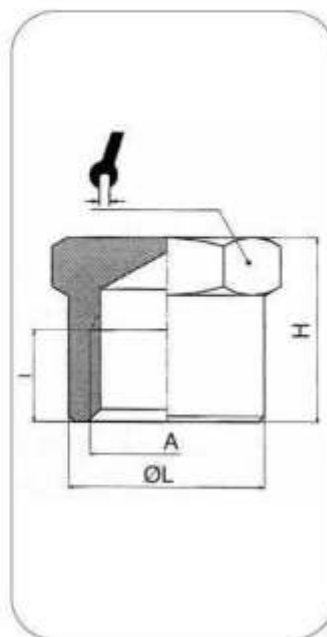
ART. 107z Tappo maschio cilindrico
Parallel male plug

CODICE	A	B	C		
107Z18	G _{1/8}	6,0	10,5	14,0	100
107Z14	G _{1/4}	8,0	13,0	17,0	100
107Z38	G _{3/8}	9,0	14,0	19,0	50
107Z12	G _{1/2}	10,0	15,5	24,0	50



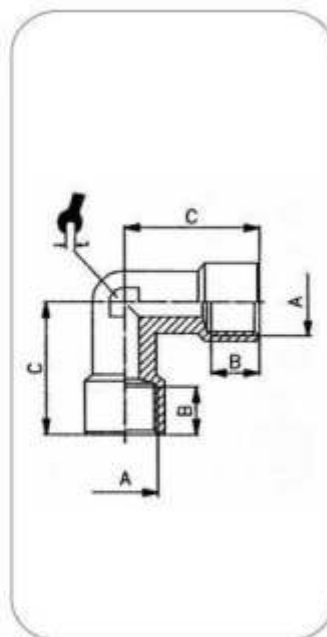
ART. 108 Tappo femmina
Female plug

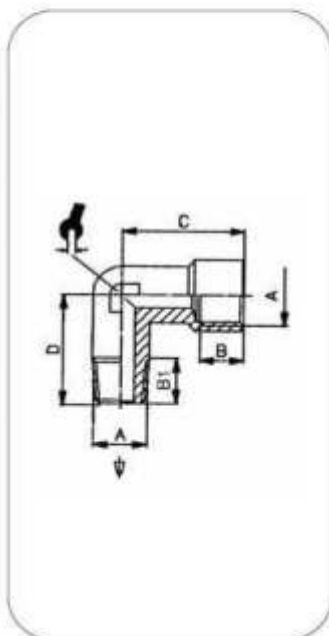
CODICE	A	I	H	ØL		
10818	G _{1/8}	7,0	13,0	11,8	12,0	100
10814	G _{1/4}	8,0	16,0	13,8	14,0	100
10838	G _{3/8}	10,0	20,0	16,8	17,0	50
10812	G _{1/2}	11,0	23,5	23,8	24,0	50



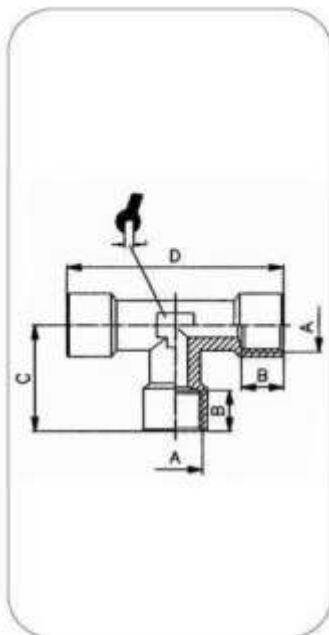
ART. 109 Elle F.F.
Female elbow

CODICE	A	B	C		
10918	G _{1/8}	7,0	20,0	10,0	100
10914	G _{1/4}	8,0	25,5	13,0	50
10938	G _{3/8}	10,0	29,0	17,0	25
10912	G _{1/2}	11,0	36,0	20,0	10

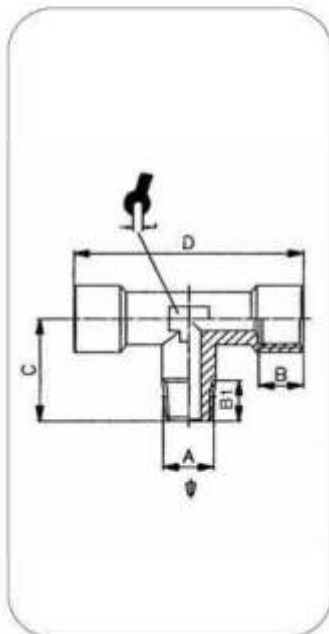



ART. 110 Elle M.F.
Male-Female elbow

CODICE	A	B	B ₁	C	D		
110M5	M5	4,0		11,0	11,5	9,0	100
11018	G _{1/8}	7,0	8,0	20,0	19,0	10,0	50
11014	G _{1/4}	8,0	11,0	25,5	24,0	13,0	50
11038	G _{3/8}	10,0	11,5	29,0	26,5	17,0	25
11012	G _{1/2}	11,0	14,0	35,0	31,5	20,0	20


ART. 111 T.F.F.
Female tee

CODICE	A	B	C	D		
11118	G _{1/8}	7,0	20,0	40,0	10,0	50
11114	G _{1/4}	8,0	25,5	51,0	13,0	25
11138	G _{3/8}	10,0	29,0	58,0	17,0	20
11112	G _{1/2}	11,0	36,0	72,0	20,0	10

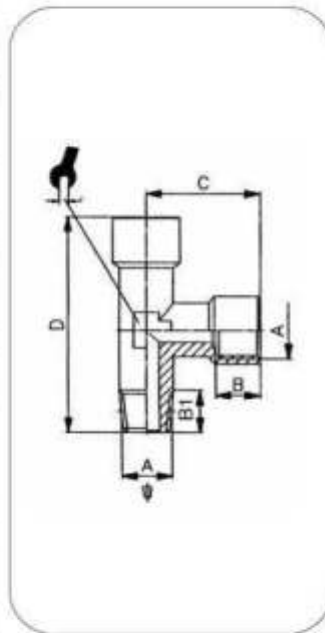

ART. 112 T.F.M.F.
Centre male tee

CODICE	A	B	B ₁	C	D		
11218	G _{1/8}	7,0	8,0	19,0	40,0	10,0	50
11214	G _{1/4}	8,0	11,0	24,0	51,0	13,0	25
11238	G _{3/8}	10,0	13,6	26,5	58,0	17,0	25
11212	G _{1/2}	11,0	15,5	31,5	72,0	20,0	10



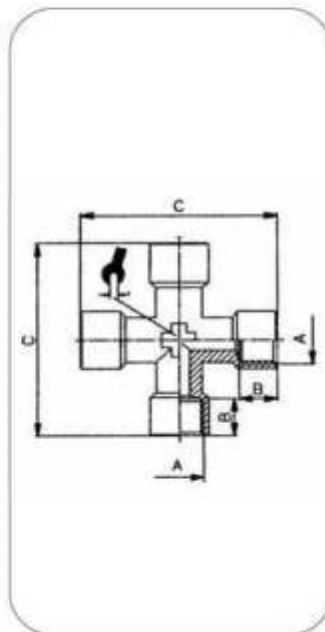
ART. 113 T.M.F.F.
Off-set male tee

CODICE	A	B	B ₁	C	D		
11318	G _{1/8}	7,0	8,0	20,0	39,0	10,0	50
11314	G _{1/4}	8,0	11,0	25,5	49,5	13,0	25
11338	G _{3/8}	10,0	13,6	29,0	55,5	17,0	25
11312	G _{1/2}	11,0	15,5	35,0	66,5	20,0	10



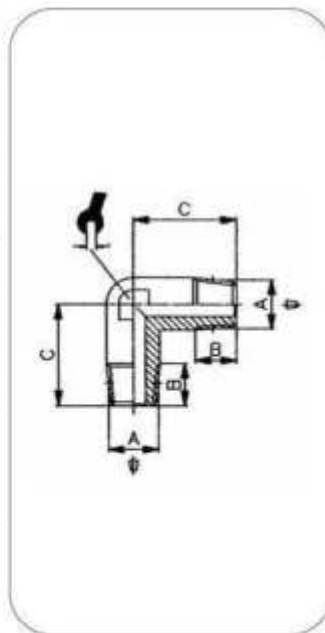
ART. 114 Croce F.F.F.
Female cross

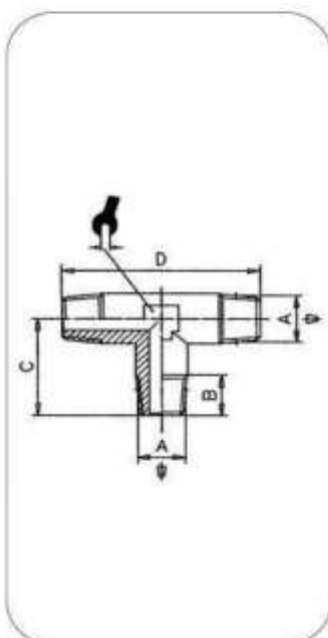
CODICE	A	B	C		
11418	G _{1/8}	7,0	40,0	10,0	25
11414	G _{1/4}	8,0	51,0	13,0	25
11438	G _{3/8}	10,0	58,0	17,0	10
11412	G _{1/2}	11,0	72,0	20,0	5



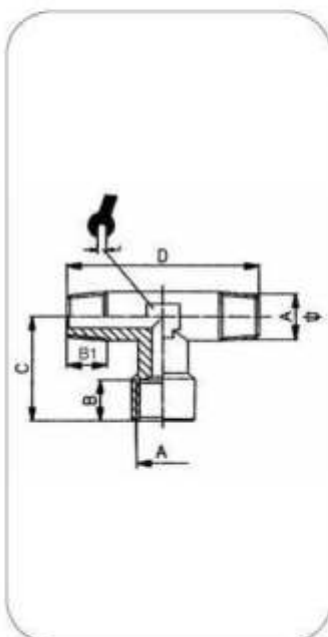
ART. 115 Elle M.M.
Male elbow

CODICE	A	B	C		
11518	G _{1/8}	8,0	19,0	10,0	100
11514	G _{1/4}	12,5	24,0	13,0	50
11538	G _{3/8}	13,6	26,5	17,0	25
11512	G _{1/2}	15,5	31,5	20,0	25

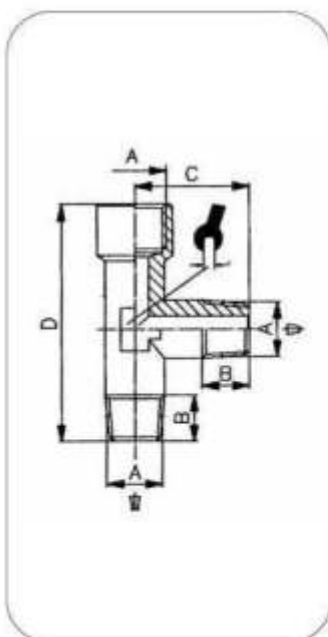


ART. 116 T.M.M.M.
Male tee

CODICE	A	B	C	D		
11618	G _{1/8}	8,0	19,0	38,0	10,0	100
11614	G _{1/4}	12,5	24,0	48,0	13,0	50
11638	G _{3/8}	13,6	26,5	53,0	17,0	25
11612	G _{1/2}	15,5	31,5	63,0	20,0	10

ART. 117 T.M.F.M.
Centre female tee

CODICE	A	B	B1	C	D		
11718	G _{1/8}	7,0	8,0	20,0	38,0	10,0	100
11714	G _{1/4}	8,0	12,5	25,5	48,0	13,0	50
11738	G _{3/8}	10,0	13,6	29,0	53,0	17,0	25
11712	G _{1/2}	11,0	15,5	36,0	63,0	20,0	10

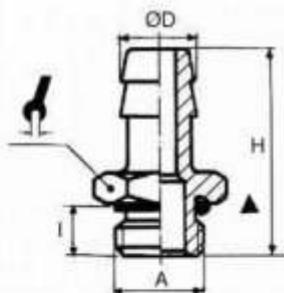
ART. 118 T.M.F.F.
Off-set female tee

CODICE	A	B	C	D		
11818	G _{1/8}	8,0	19	39	10	100
11814	G _{1/4}	12,5	24	49,5	13	100
11838	G _{3/8}	13,6	26,5	55,5	17	100
11812	G _{1/2}	15,5	31,5	67,5	20	100



ART. 119 Portagomma maschio con O-Ring
Male hose adapter + O-Ring

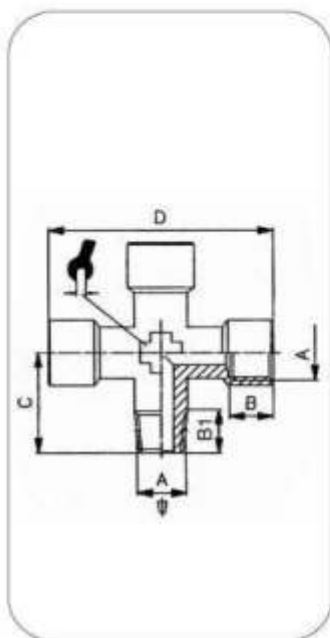
CODICE	ØD	A	I	H		
1190718	7,0	G _{1/8}	6,0	31,5	13,0	100
1190714	7,0	G _{1/4}	8,0	34,0	16,0	100
1190818	8,0	G _{1/8}	6,0	31,5	13,0	100
1190918	9,0	G _{1/8}	6,0	31,5	13,0	100
1190914	9,0	G _{1/4}	8,0	34,0	16,0	100
1190938	9,0	G _{3/8}	9,0	35,0	17,0	50
1191214	12,0	G _{1/4}	8,0	34,0	16,0	50
1191238	12,0	G _{3/8}	9,0	36,0	17,0	50
1191212	12,0	G _{1/2}	11,0	37,0	22,0	50
1191738	17,0	G _{3/8}	9,0	36,0	17,0	50
1191712	17,0	G _{1/2}	11,0	37,0	22,0	50
1191812	18,0	G _{1/2}	11,0	37,0	22,0	50



ART. 119z Portagomma maschio cilindrico
Male hose adapter

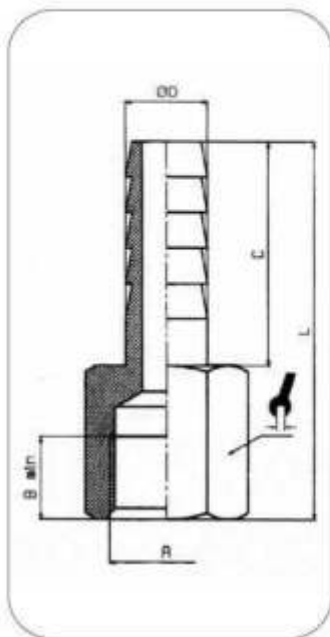
CODICE	ØD	A	I	H		
11920618	6,0	G _{1/8}	6,0	30,5	14,0	100
11920614	6,0	G _{1/4}	8,0	33,0	17,0	100
11920718	7,0	G _{1/8}	6,0	30,5	14,0	100
11920714	7,0	G _{1/4}	8,0	33,0	17,0	100
11920818	8,0	G _{1/8}	6,0	30,5	14,0	100
11920814	8,0	G _{1/4}	8,0	33,0	17,0	100
11920838	8,0	G _{3/8}	9,0	34,0	19,0	100
11920918	9,0	G _{1/8}	6,0	30,5	14,0	100
11920914	9,0	G _{1/4}	8,0	33,0	17,0	100
11920938	9,0	G _{3/8}	9,0	34,0	19,0	100
11920912	9,0	G _{1/2}	14,0	39,0	22,0	25
11921018	10,0	G _{1/8}	6,0	30,5	14,0	100
11921014	10,0	G _{1/4}	8,0	33,0	17,0	100
11941038	10,0	G _{3/8}	9,0	34,0	19,0	100
11921012	10,0	G _{1/2}	10,0	42,0	24,0	100
11921214	12,0	G _{1/4}	8,0	33,0	17,0	50
11921238	12,0	G _{3/8}	9,0	34,0	19,0	50
11921212	12,0	G _{1/2}	10,0	35,5	24,0	50
11921438	14,0	G _{3/8}	9,0	34,0	19,0	50
11921412	14,0	G _{1/2}	10,0	35,5	24,0	50
11921638	16,0	G _{3/8}	9,0	38,0	19,0	50
11921612	16,0	G _{1/2}	10,0	42,0	24,0	50
11921738	17,0	G _{3/8}	9,0	34,0	19,0	50
11921712	17,0	G _{1/2}	10,0	35,5	24,0	50
11921812	18,0	G _{1/2}	14,0	39,0	22,0	50
11922012	20,0	G _{1/2}	10,0	35,5	24,0	25





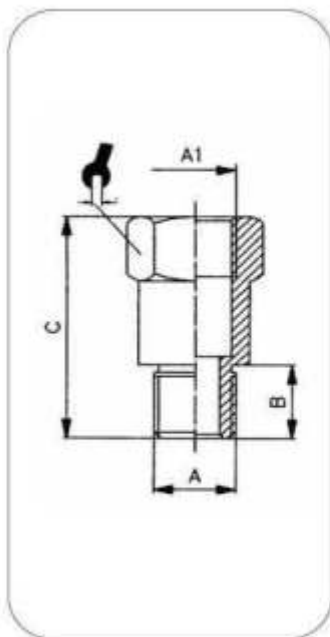
ART. 120 Croce M.F.F.
1 male 3 female cross

CODICE	A	B	B1	C	D		
12018	G _{1/8}	7,0	8,0	19,0	40,0	10,0	25
12014	G _{1/4}	8,0	12,5	24,0	51,0	13,0	25
12038	G _{3/8}	10,0	13,6	26,5	58,0	17,0	10
12012	G _{1/2}	11,0	15,5	31,5	72,0	20,0	5



ART. 122 Portagomma femmina
Female Hose adapter

CODICE	ØD	A	B	C	L		
1220618	6,0	G _{1/8}	7,0	19,0	32,0	12,0	100
1220718	7,0	G _{1/8}	7,0	19,0	32,0	12,0	100
1220714	7,0	G _{1/4}	8,0	19,0	35,0	17,0	100
1220814	8,0	G _{1/4}	8,0	19,0	35,0	17,0	100
1220914	9,0	G _{1/4}	8,0	19,0	35,0	17,0	100
1221038	10,0	G _{3/8}	10,0	19,0	37,0	20,0	50
1221238	12,0	G _{3/8}	10,0	19,0	37,0	20,0	50
1221212	12,0	G _{1/2}	11,0	19,0	40,5	24,0	50



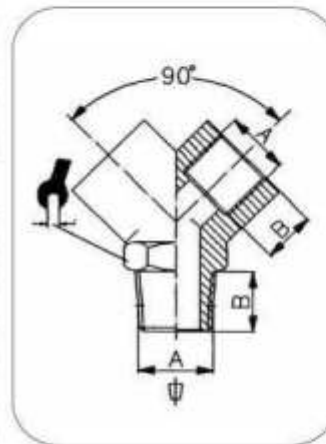
ART. 123 Prolunga
Extension

CODICE	A	A1	B	C		
1231822	G _{1/8}	G _{1/8}	6,0	22,0	14,0	100
1231832	G _{1/8}	G _{1/8}	6,0	32,0	14,0	100
1231842	G _{1/8}	G _{1/8}	6,0	42,0	14,0	100
1231851	G _{1/8}	G _{1/8}	6,0	51,0	14,0	50
1231428	G _{1/4}	G _{1/4}	8,0	28,0	17,0	100
1231435	G _{1/4}	G _{1/4}	8,0	35,0	17,0	50
1231451	G _{1/4}	G _{1/4}	8,0	51,0	17,0	50



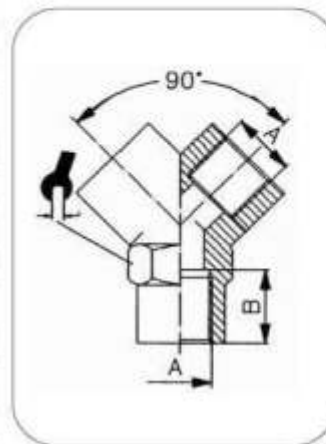
ART. 125 Y maschio Male Y

CODICE	A	B				
12518	G _{1/8}	8,0			13,0	50
12514	G _{1/4}	11,0			17,0	25
12538	G _{3/8}	11,5			20,0	25
12512	G _{1/2}	14,0			25,0	10



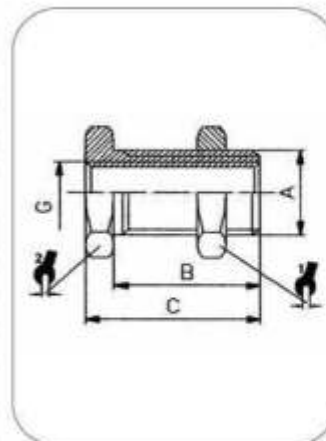
ART. 126 Y femmina Female Y

CODICE	A	B				
12618	G _{1/8}	8,0			13,0	50
12614	G _{1/4}	11,0			17,0	25
12638	G _{3/8}	11,5			20,0	25
12612	G _{1/2}	14,0			25,0	10



ART. 127 Passaparete femmina non nichelato Female bulkhead no nickel plated

CODICE	G	A	B	C			
127M5	M5	M10x1	10,5	14,0	14,0	14,0	100
12718	G _{1/8}	M16x1,5	14,0	18,0	22,0	19,0	100
12714	G _{1/4}	M20x1,5	21,0	25,0	27,0	24,0	50
12738	G _{3/8}	M26x1,5	21,0	26,0	32,0	30,0	25
12712	G _{1/2}	M28x1,5	27,0	33,0	36,0	32,0	10



ART. 128 Croce M.M.M.M. Male cross

CODICE	A	B	C			
12818	G _{1/8}	8,0	38,0		10,0	25
12814	G _{1/4}	12,5	48,0		13,0	25
12838	G _{3/8}	13,6	53,0		17,0	10
12812	G _{1/2}	15,5	63,0		20,0	5

