

Model AWLFN2 Series

- Capacity 0...500 kg to 0...10 t
- Specially designed for protecting cranes from overload and for measuring the tension of wire ropes.



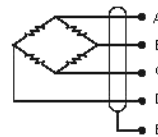
In many industrial applications the tension in wire rope needs to be carefully and continuously monitored. Usually a load cells placed in series with the rope, either at a point along its length or more commonly between the end of the rope and the fixture. The problem is that such a load cell is best suited to new application where it is designed in at an early stage.

Ordering Information: **AWLFN2** - **1T**
 Model - Capacity

Specifications

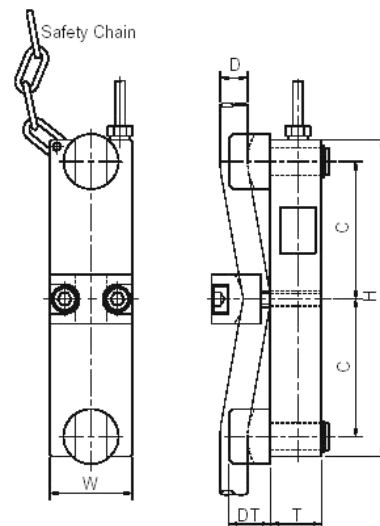
Model	AWLFN2
Rated Capacity (R.C.):	0,5 :: 1 :: 1,5 :: 2,5 :: 4 :: 8 :: 10 t/rope
Rated Output (R.O.):	App. 1,0 mV/V
Non-Linearity:	≤1,0% R.O.
Hysteresis:	≤1,0% R.O.
Non-repeatability:	≤1,0% R.O.
Creep error:	≤1,0% in 20 min.
Zero balance:	≤1% R.O.
Compensated temperature range:	-10...70°C
Operating temperature range:	-20...80°C
Temp. effect on rated output	≤0,05% Load/10 K
Temp. effect on zero balance	≤0,05% R.O./10 K
Terminal input resistance:	350 Ω ±3,5 Ω
Terminal output resistance:	350 Ω ±5 Ω
Insulation resistance (Min.)	2000 MΩ at 50 VDC
Recommended excitation	10 V (Recommended), 15 V (Max.)
Electrical connection:	Ø7 mm x 3 m (22AWG x 4 core shielded)
Protection class:	Meets IP64
Safe overload:	200% R.C.
Ultimate overload:	400% R.C.

Wiring Information:



A: red (+) Excitation
 B: green (+) Signal
 C: white (-) Excitation
 D: blue (-) Signal
 E: bare GND

Dimensions:



Dimensions in [mm]

Rated Capacity ¹	C	DT	H	T	W	ØD Wire rope	Weight [kg]
0,5 t :: 1 t	60	15,5	140	20	34	Ø6...8	1,0
1,5 t	70	21	160	26	42	Ø10...14	1,9
2,5 t	75	25	180	32	50	Ø14...20	2,9
4 t	90	35	210	32	62	Ø18...28	5,2
8 t :: 10 t	100	45	260	44	88	Ø25...35,5	12,0

¹max. load per wire rope

* Specifications are subject to change without notice/Copyright Althen 03-2006

AWLFN2

ALTHEN GmbH Mess- und Sensortechnik

Frankfurter Str. 150 - 152
 D-65779 Kelkheim

Tel. : +49(0)6195 70060
 Fax: +49(0)6195 700666

<http://www.althen.de>
 E-Mail: verkauf@althen.de

