

PPCB10 How To Order Information

PPC B10A - $\frac{X}{1} \frac{XX}{2} - \frac{XX}{3} \frac{X}{4} \frac{X}{5} - \frac{X}{6} \frac{X}{7} \frac{X}{8}$

1 Type

A Analog

2 Mounting / Port Size & Type

AA Base Side Port 1/8" NPTF
AB Base Side Port 1/8" BSPPL
AC Base Side Port 1/8" BSPTR
AD Base Side 10/32
AE Base Side Port M5
AF Base Side M4 Tube Receptacle
AG Base Side 5/32 Tube Receptacle
CA* Base Manifold Mt.
DA DIN Rail Base 1/8" NPTF Side Port
DB DIN Rail Base 1/8" BSPPL Side Port
DC DIN Rail Base 1/8" BSPTR Side Port
DD DIN Rail Base 10/32 Side Port
DE DIN Rail Base M5 Side Port
DF DIN Rail Base M4 Tube Receptacle
DG DIN Rail Base 5/32 Tube Receptacle

3 Pressure Range

0A 100 psi
0B 60 psi
0C 30 psi
0D 15 psi
0N 10 psi
0T 45 psi
0J 75psi
0L 4 psi

4 Pressure Reference

G Gage Pressure

5 Accuracy

A $\pm 1.5\%$ F.S.
C $\pm 0.5\%$ F.S.
E $\pm 2.5\%$ F.S.

6 Command Signal

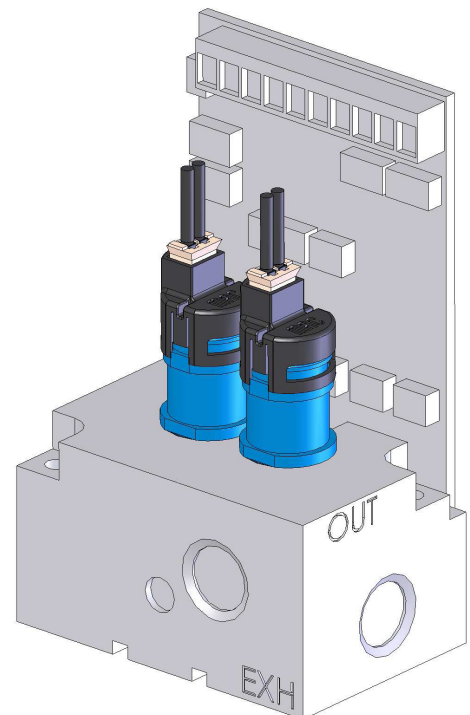
B 0 - 10v Differential
D 4 - 20mA Differential

7 LMS Signal

A TTL LMS & AMS

8 Cover

A No Cover



*To be used with EPP Circuit Bar

EPPB10A How To Order Information

EPP B10A - XX XX XX - XX - 9
 1 2 3 4 5 PPC Assembled to Bar

1 Spacing

00 29.00mm Spacing

2 Configuration

A Side Cylinder Ports

3 Style

A Standard

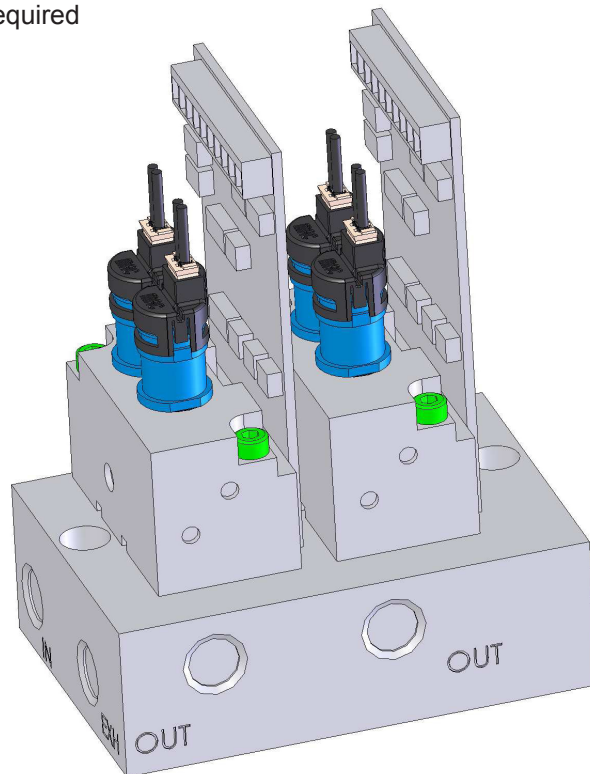
4 Port Size and Thread Type

A 1/8" NPTF
B 1/8" BSPPL
C 1/8" BSPTR
D M4 Tube Receptacle (NPTF Commons)
E M4 Tube Receptacle (BSPPL Commons)
F M4 Tube Receptacle (BSPTR Commons)
G 5/32 Tube Receptacle (NPTF Commons)
H 5/32 Tube Receptacle (BSPPL Commons)
J 5/32 Tube Receptacle (BSPTR Commons)

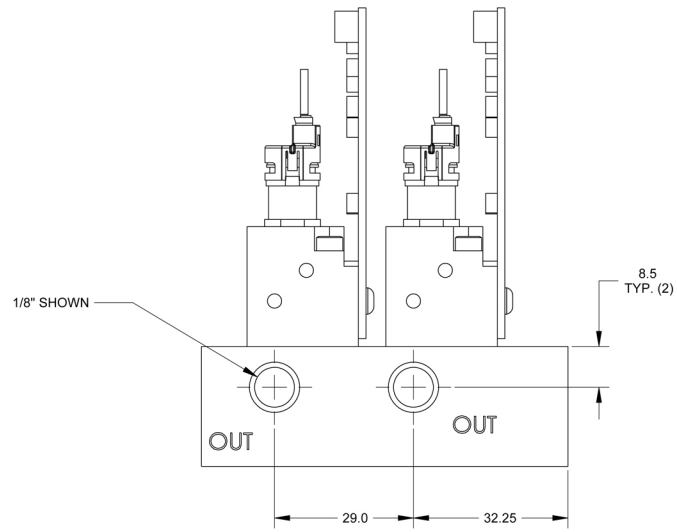
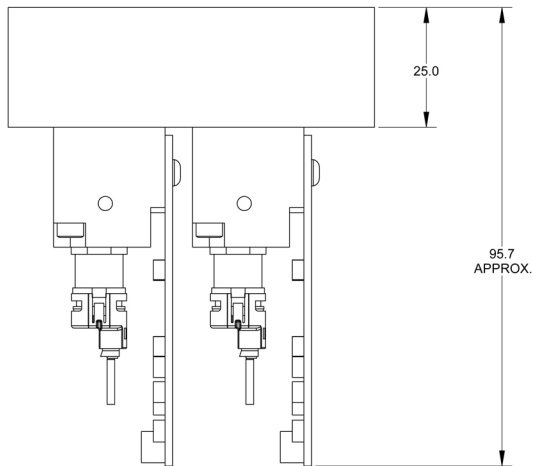
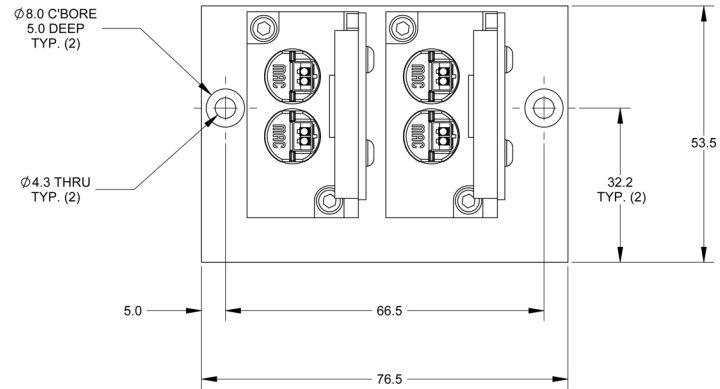
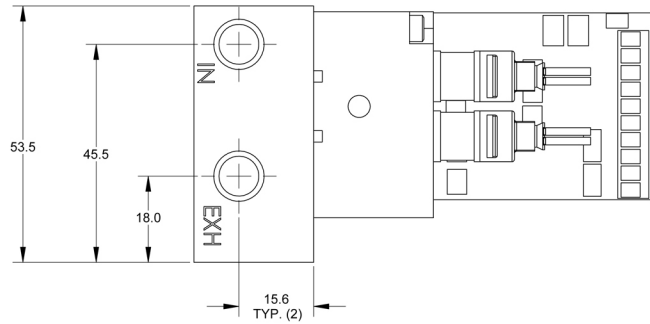
5 Stations

Number of Stations (02, 03, 04, etc.)

Note: "CA" Mounting Type PPC Required



PPCB10 Manifold Mount Dimensional Info



PPCB10 Inline Dimensional Information

